

# ESOTERIC

N-03T

## Network Audio Transport

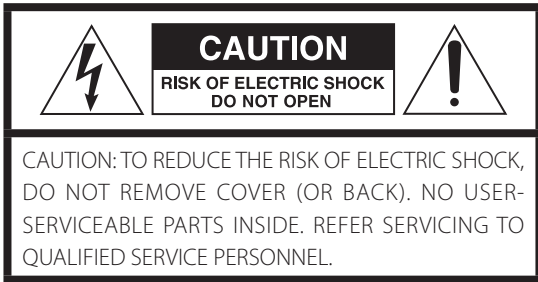
OWNER'S MANUAL..... 3

MODE D'EMPLOI.....19

MANUAL DEL USUARIO..... 35



# IMPORTANT SAFETY INSTRUCTIONS



The lightning flash with arrowhead symbol, within an equilateral triangle, is intended to alert the user to the presence of uninsulated "dangerous voltage" within the product's enclosure that may be of sufficient magnitude to constitute a risk of electric shock to persons.



The exclamation point within an equilateral triangle is intended to alert the user to the presence of important operating and maintenance (servicing) instructions in the literature accompanying the appliance.

**WARNING: TO PREVENT FIRE OR SHOCK HAZARD, DO NOT EXPOSE THIS APPLIANCE TO RAIN OR MOISTURE.**

## CAUTION

- DO NOT REMOVE THE EXTERNAL CASES OR CABINETS TO EXPOSE THE ELECTRONICS. NO USER SERVICEABLE PARTS ARE INSIDE.
- IF YOU ARE EXPERIENCING PROBLEMS WITH THIS PRODUCT, CONTACT THE STORE WHERE YOU PURCHASED THE UNIT FOR A SERVICE REFERRAL. DO NOT USE THE PRODUCT UNTIL IT HAS BEEN REPAIRED.
- USE OF CONTROLS OR ADJUSTMENTS OR PERFORMANCE OF PROCEDURES OTHER THAN THOSE SPECIFIED HEREIN MAY RESULT IN HAZARDOUS RADIATION EXPOSURE.

- 1) Read these instructions.
- 2) Keep these instructions.
- 3) Heed all warnings.
- 4) Follow all instructions.
- 5) Do not use this apparatus near water.
- 6) Clean only with dry cloth.
- 7) Do not block any ventilation openings. Install in accordance with the manufacturer's instructions.
- 8) Do not install near any heat sources such as radiators, heat registers, stoves, or other apparatus (including amplifiers) that produce heat.
- 9) Do not defeat the safety purpose of the polarized or grounding-type plug. A polarized plug has two blades with one wider than the other. A grounding type plug has two blades and a third grounding prong. The wide blade or the third prong are provided for your safety. If the provided plug does not fit into your outlet, consult an electrician for replacement of the obsolete outlet.

- 10) Protect the power cord from being walked on or pinched particularly at plugs, convenience receptacles, and the point where they exit from the apparatus.

- 11) Only use attachments/accessories specified by the manufacturer.

- 12) Use only with the cart, stand, tripod, bracket, or table specified by the manufacturer, or sold with the apparatus. When a cart is used, use caution when moving the cart/apparatus combination to avoid injury from tip-over.



- 13) Unplug this apparatus during lightning storms or when unused for long periods of time.

- 14) Refer all servicing to qualified service personnel. Servicing is required when the apparatus has been damaged in any way, such as power-supply cord or plug is damaged, liquid has been spilled or objects have fallen into the apparatus, the apparatus has been exposed to rain or moisture, does not operate normally, or has been dropped.

- The apparatus draws nominal non-operating power from the AC outlet with its POWER or STANDBY/ON switch not in the ON position.
- The mains plug is used as the disconnect device; the disconnect device shall remain readily operable.
- Caution should be taken when using earphones or headphones with the product because excessive sound pressure (volume) from earphones or headphones can cause hearing loss.

## WARNING

Products with Class **I** construction are equipped with a power supply cord that has a grounding plug. The cord of such a product must be plugged into an AC outlet that has a protective grounding connection.

**IN USA/CANADA, USE ONLY ON 120 V SUPPLY.**

## CAUTION

- Do not expose this apparatus to drips or splashes.
- Do not place any objects filled with liquids, such as vases, on the apparatus.
- Do not install this apparatus in a confined space such as a book case or similar unit.
- The apparatus should be located close enough to the AC outlet so that you can easily reach the power cord plug at any time.
- If the product uses batteries (including a battery pack or installed batteries), they should not be exposed to sunshine, fire or excessive heat.
- CAUTION for products that use replaceable lithium batteries: there is danger of explosion if a battery is replaced with an incorrect type of battery. Replace only with the same or equivalent type.

## Model for USA

### Declaration of Conformity

Model number: N-03T

Trade name: ESOTERIC

Responsible party: 11 Trading Company, LLC

Address: 3502 Woodview Trace #200 Indianapolis, IN 46268 U.S.A.

URL: <https://11tradingcompany.com/contact-us/>

This device complies with Part.15 of FCC Rules.

Operation is subject to the following two conditions:

- 1) This device may not cause harmful interference
- 2) This device must accept any interference received, including interference that may cause undesired operation.



### Information

This equipment has been tested and found to comply with the limits for a Class B digital device, pursuant to Part 15 of the FCC Rules. These limits are designed to provide reasonable protection against harmful interference in a residential installation. This equipment generates, uses, and can radiate radio frequency energy and, if not installed and used in accordance with the instructions, may cause harmful interference to radio communications. However, there is no guarantee that interference will not occur in a particular installation. If this equipment does cause harmful interference to radio or television reception, which can be determined by turning the equipment off and on, the user is encouraged to try to correct the interference by one or more of the following measures:

- Reorient or relocate the equipment and/or the receiving antenna.
- Increase the separation between the equipment and receiver.
- Connect the equipment into an outlet on a circuit different from that to which the receiver is connected.
- Consult the dealer or an experienced radio/TV technician for help.

### CAUTION

Changes or modifications not expressly approved by the party responsible for compliance could void the user's authority to operate the equipment.

## Model for Canada

Innovation, Science and Economic Development Canada's

Compliance Statement:

This Class B digital apparatus complies with Canadian ICES-003.

## Model for Europe



This product complies with the European Directives request, and the other Commission Regulations.

## Model for UK

This product complies with the applicable UK regulations.



## For European Customers

### Disposal of electrical and electronic equipment and batteries and/or accumulators

- a) All electrical/electronic equipment and waste batteries/accumulators should be disposed of separately from the municipal waste stream via collection facilities designated by the government or local authorities.
- b) By disposing of electrical/electronic equipment and waste batteries/accumulators correctly, you will help save valuable resources and prevent any potential negative effects on human health and the environment.
- c) Improper disposal of waste electrical/electronic equipment and batteries/accumulators can have serious effects on the environment and human health because of the presence of hazardous substances in the equipment.
- d) The Waste Electrical and Electronic Equipment (WEEE) symbols, which show wheeled bins that have been crossed out, indicate that electrical/electronic equipment and batteries/accumulators must be collected and disposed of separately from household waste.  
If a battery or accumulator contains more than the specified values of lead (Pb), mercury (Hg), and/or cadmium (Cd) as defined in the Battery Directive (2006/66/EC, 2013/56/EU), then the chemical symbols **Pb, Hg, Cd** for those elements will be indicated beneath the WEEE symbol.
- e) Return and collection systems are available to end users. For more detailed information about the disposal of old electrical/electronic equipment and waste batteries/accumulators, please contact your city office, waste disposal service or the shop where you purchased the equipment.



Thank you for purchasing this ESOTERIC product.  
Read this manual carefully to get the best performance from this product. After reading it, keep it in a safe place with the warranty card for future reference.

The Owner's Manual can be downloaded from the ESOTERIC website (<https://www.esoteric.jp/en/>).

To use this unit, you must also use a tablet/smartphone that has the dedicated app (free) installed and connect it to the same network as the unit.

## ATTENTION

This unit only outputs digital signals from the one selected type of connector.  
Set the digital output to USB, XLR or RCA before use.  
See "Setting mode" and "Output connector setting" on page 13.



MQA and the Sound Wave Device are registered trade marks of MQA Limited. © 2016



Being Roon Ready means that ESOTERIC uses Roon streaming technology, for an incredible user interface, simple setup, rock-solid daily reliability, and the highest levels of audio performance, without compromise.

"DSD" is a registered trademark.

Apple is a trademark of Apple Inc., registered in the U.S. and other countries.

App Store is a service mark of Apple Inc.

iOS is a trademark or registered trademark of Cisco in the U.S. and other countries and is used under license.

Android is a trademark of Google Inc.

Google Play is a trademark of Google Inc.

Wi-Fi is a trademark or registered trademark of Wi-Fi Alliance.

ESOTERIC is a trademark of TEAC CORPORATION, registered in the U.S. and other countries.

Other company names, product names and logos in this document are the trademarks or registered trademarks of their respective owners.

Information about copyrights and licensing related to open-source software is provided in the separate "Important Notice Regarding Software" document.

- IMPORTANT SAFETY INSTRUCTIONS ..... 3
- Before use ..... 6
  - What's in the box ..... 6
  - Note about pinpoint feet ..... 6
  - Maintenance ..... 6
- Precautions for use ..... 6
- Network connections ..... 7
- Making connections ..... 8
- Names and functions of parts ..... 10
- Using network transport functions ..... 11
- MQA (Master Quality Authenticated) ..... 12
- Basic operation ..... 12
  - Turning the unit on and off ..... 12
- Setting mode ..... 13
  - Meanings of items shown in setting mode ..... 13
  - Clock mode setting ..... 13
  - Output connector setting ..... 13
  - DSD output setting ..... 14
  - MQA output setting ..... 14
  - Network display setting ..... 14
  - Automatic display darkening setting ..... 14
  - Automatic power saving setting ..... 14
  - ETHERNET port LED setting ..... 14
  - Dimmer setting ..... 15
  - Showing firmware versions ..... 15
  - Volume adjustment setting ..... 15
  - RAAT mode ..... 15
- Troubleshooting ..... 16
  - General ..... 16
  - Clock sync ..... 16
  - Restoring factory settings ..... 16
- Specifications ..... 17
- Dimensional drawings ..... 18

### What's in the box

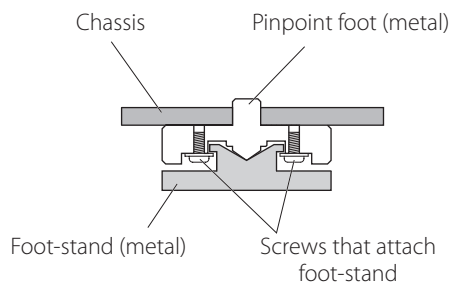
Check to be sure the box includes all the supplied accessories shown below. Please contact the store where you purchased this unit if any of these accessories are missing or have been damaged during transportation.

- Power cord × 1
- Felt pads × 3
- Owner's manual (this document) × 1
- Warranty card × 1

### Note about pinpoint feet

High-precision metal pinpoint feet are attached firmly to the bottom plate of this unit.

The stands for these feet are loose, but when the unit is placed in position, it is supported by these pinpoint feet, which will effectively disperse vibrations.



- Apply the included felt pads to the bottoms of the foot-stands to avoid scratching the surface where the unit is placed.

### Maintenance

Use a soft dry cloth to wipe the surface of the unit clean. For stubborn smudges, use a damp cloth that has been thoroughly wrung out to remove excess moisture.

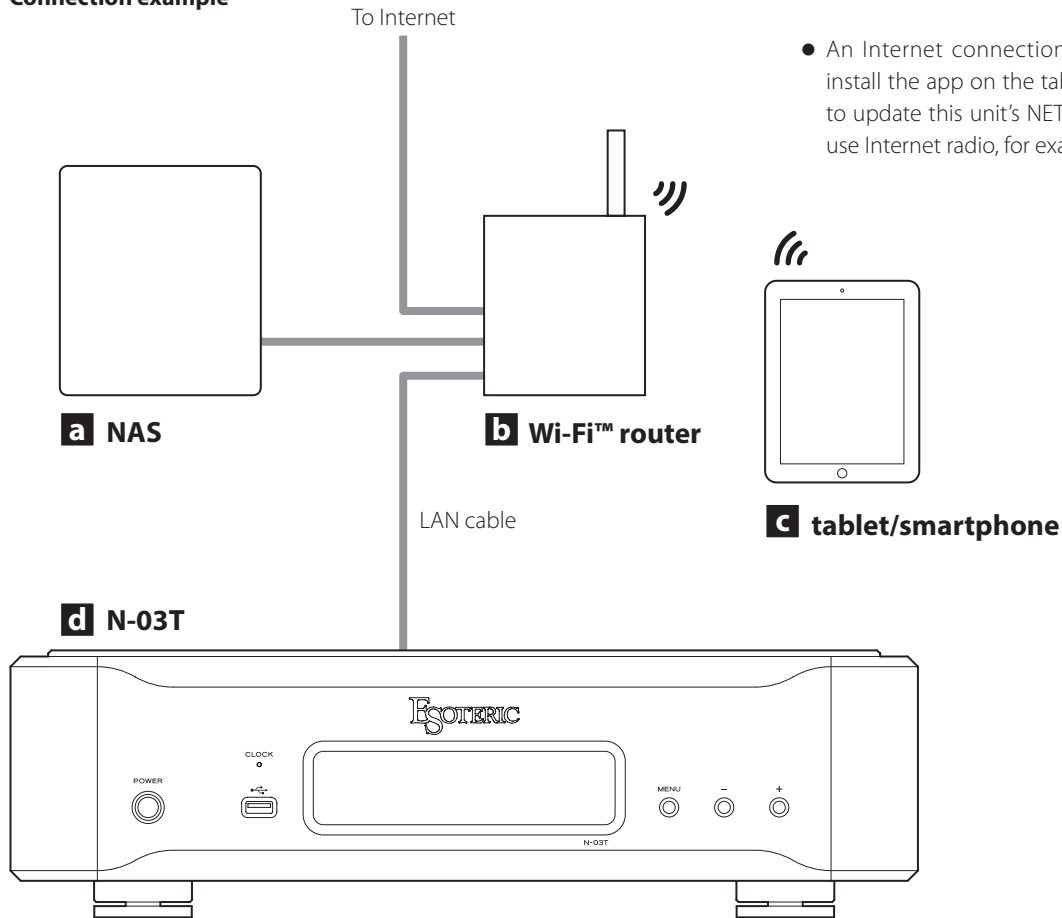
- Never spray liquid directly on this unit.
- Do not wipe with chemical cleaning cloths, thinner or other chemical agents. Doing so could damage the surface.
- Avoid allowing rubber or plastic materials to touch the unit for long periods of time because they could damage the cabinet.

**⚠ For safety, disconnect the power plug from the outlet before cleaning.**

- Do not place anything on top of the unit.
- Do not install this unit in a location that could become hot. This includes places that are exposed to direct sunlight or near a radiator, heater, stove or other heating equipment. Moreover, do not place it on top of an amplifier or other equipment that generates heat. Doing so could cause discoloration or deformation.
- In order to enable good heat dissipation, leave at least 20 cm (8") between this unit and walls and other equipment when installing it. If you put it in a rack, take precautions to prevent overheating by leaving at least 5 cm (2") open above the top of the unit and at least 10 cm (4") open behind the unit. Failure to provide these gaps could cause heat to build up inside and result in fire.
- Place the unit in a stable location.
- Do not move the unit during use.
- Be careful to avoid injury when moving the unit due to its weight. Have someone help you move it if necessary.
- The voltage supplied to the unit should match the voltage printed on the rear panel. If you are in any doubt regarding this matter, consult an electrician.
- Do not open the body of the unit as this might result in damage to the circuitry or cause electric shock. If a foreign object should get into the unit, contact your dealer.
- When removing the power plug from the wall outlet, always pull directly on the plug; never yank on the cord.

# Network connections

## Connection example



- An Internet connection is necessary to install the app on the tablet/smartphone, to update this unit's NET firmware and to use Internet radio, for example.

### **a** NAS (network-attached storage)

Use to store audio files.  
Operation as a UPnP server is necessary to use it as a media server.

### **b** Wi-Fi™ router

Use Wi-Fi to connect the tablet/smartphone to this unit and the NAS.

### **c** Tablet/smartphone

Install the app to control this unit.

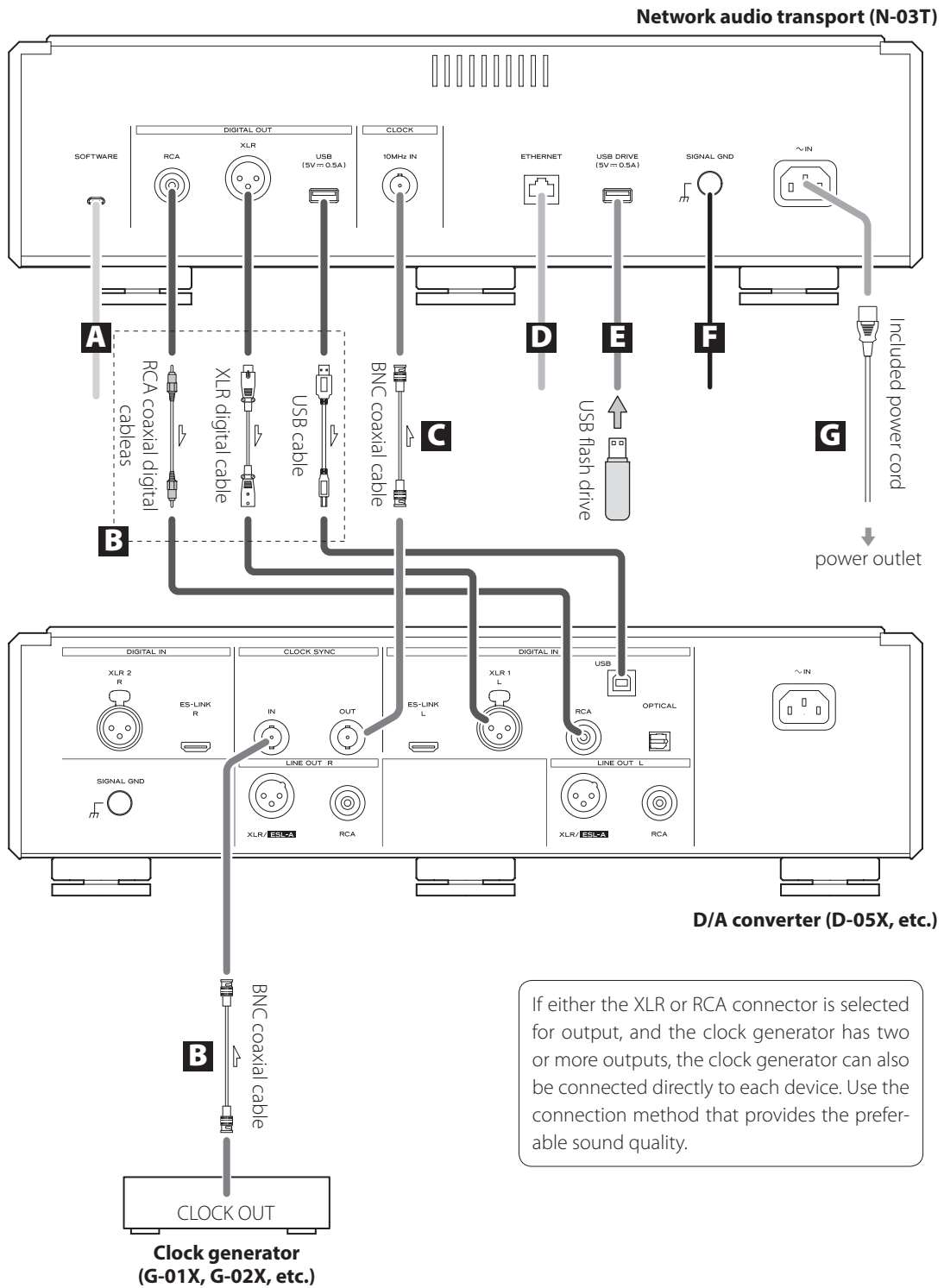
### **d** N-03T

This unit.

# Making connections

## Precautions when making connections

- After completing all other connections, plug the power plug into a power outlet.
- Read the owner's manuals of all devices that will be connected, and follow their instructions.



If either the XLR or RCA connector is selected for output, and the clock generator has two or more outputs, the clock generator can also be connected directly to each device. Use the connection method that provides the preferable sound quality.



**A Maintenance (SOFTWARE) port**

This is used for maintenance. Do not connect anything to this port unless instructed to do so by our service department.

**B Digital audio output (DIGITAL OUT) connectors**

These output digital audio. Connect these to the digital input connectors of a D/A converter (such as a D-05X), an SACD player or another device.

**Use commercially-available cables for the following connections.**

USB: USB cable  
XLR: XLR digital cable  
RCA: RCA coaxial digital cable

- Use one of the above to connect the unit to a device with digital input.

**Change the output settings according to the connector being used (page 13).**

**C 10MHz clock input connector (10MHz IN CLOCK)**

When outputting from the XLR or RCA connector, a 10MHz synchronization (clock) signal can be input (page 13).  
When using a master clock generator, connect its clock output connector to this unit's 10MHz IN CLOCK connector.

**Use a commercially available BNC coaxial cable for connection.**

**D ETHERNET port**

Use a LAN cable to connect to a network (page 7).

**Use a commercially-available LAN cable for connection.**

**E USB DRIVE port**

Connect USB flash drives that contain audio files here.

- The maximum power supply is 0.5 A.
- This port can only be used to play music files contained on a connected USB flash drive.


**F SIGNAL GND grounding terminal**

Connecting this grounding terminal to the grounding terminal of the D/A converter, amplifier or other device might improve the audio quality.

- This is not an electrical safety ground.

**G Power inlet (~IN)**

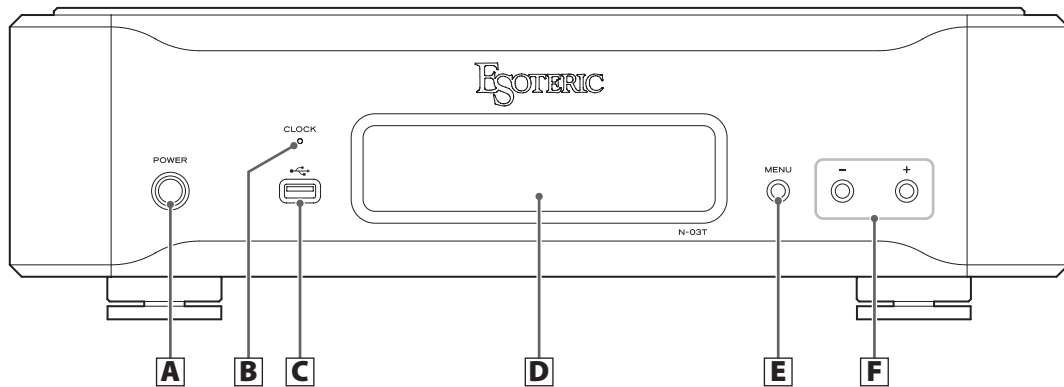
Connect the included AC power cord to this socket. After completing all other connections, plug the power plug into a power outlet.

 **Use only a genuine ESOTERIC power cord. Use of other power cords could result in fire or electric shock.**

 **Disconnect the power plug from the outlet if you will not use the unit for a long time.**

**Use a BNC coaxial cable with 50Ω or 75Ω impedance.**

# Names and functions of parts



## **A** POWER button

Use to turn the unit on and off.  
When the unit is on, the ring around this button lights blue.  
When the unit is off, it is unlit.

When not using the unit, turn it off.

## **B** CLOCK indicator

This shows the clock synchronization status.  
When the clock sync setting is set to IN, this will begin to blink.  
When a clock signal is detected and synchronization occurs, it will stop blinking and stay lit.

- When the output connector setting is USB, this is unlit.

## **C** USB drive port (🔌)

Connect USB flash drives that contain audio files here.

- This port can only be used to play music files contained on a connected USB flash drive.

## **D** Display

This shows playback time, sampling frequency and other information.

## **E** MENU button

Use to enter setting mode (page 13).

## **F** Setting adjustment (+/-) buttons

Use to change parameters when in setting mode.

- You cannot change the volume with this unit.

### **+ button**

This switches between showing the playback time and the sampling frequency on the display.

# Using network transport functions

The network transport functions of this unit support OpenHome, Roon Ready, Spotify Connect, Tidal Connect and other services. Music can be played back by using apps that are compatible with these services.

- The ESOTERIC Sound Stream app, which is compatible with iOS and Android, can be used for OpenHome control. Search for “ESOTERIC Sound Stream” in the App Store or Google Play Store.



- Refer to the ESOTERIC Sound Stream User's Manual ([https://www.esoteric.jp/en/product/sound\\_stream/download](https://www.esoteric.jp/en/product/sound_stream/download)) to prepare playlists and play audio files.
- To use the ETHERNET port or USB drive (USB DRIVE and \*↔) ports, you must also use a tablet or smartphone that has the dedicated app (free) installed and connect it to the same network as the unit.
- Network module firmware is updated through ESOTERIC Sound Stream. We recommend that you regularly select this unit in ESOTERIC Sound Stream, and update it with the latest firmware. A pop-up window recommending a firmware update will appear if one is available.

## OpenHome <http://openhome.org/>

Playlist data is stored in this unit. Songs stored on a NAS or USB flash drive connected to this unit can be added to playlists and played back using ESOTERIC Sound Stream or another app that is compatible with OpenHome control. Using ESOTERIC Sound Stream, desired songs from Tidal, Qobuz and other streaming services can also be added to playlists. Since playlists are stored on the playback device when using OpenHome, after music has been added to a playlist, playback in playlist order is possible even after the control app has been quit.

## Roon Ready <https://roonlabs.com/>

This unit supports music playback using the Roon music playback and management application released by Roon Labs. A Roon system is comprised of three elements: Control, Core and Output. This unit fills the role of an audio output that supports RAAT (Roon Advanced Audio Transport), which is a high-quality audio transmission format unique to Roon.

This unit enables selection of RAAT mode, which allows maximum performance when playing audio with Roon. This mode is tailored for music playback using Roon and stops other services that are supported in normal mode, including OpenHome, Spotify Connect and Tidal Connect.

- See page 15 for RAAT mode setting procedures.
- When in RAAT mode, control is possible only from the Roon app.

## Spotify Connect <https://www.spotify.com/>

## Tidal Connect <https://tidal.com/>

This unit can be selected as the output from dedicated apps for the Spotify and Tidal music streaming services. Using the apps optimized for these services on a smartphone or other device enables music playback on this unit with easy operations, including music selection.

### NOTE

See the apps for the services for detailed operation procedures.

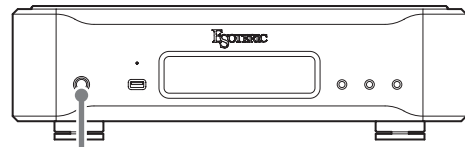
MQA is an award-winning British technology that delivers the sound of the original master recording. The master MQA file is fully authenticated and is small enough to stream or download.

Visit [mqa.co.uk](http://mqa.co.uk) for more information.

The N-03T includes MQA technology, which enables you to play back MQA audio files and streams, delivering the sound of the original master recording.

'MQA' or 'MQA.' indicates that the product is decoding and playing an MQA stream or file, and denotes provenance to ensure that the sound is identical to that of the source material. "MQA." indicates it is playing an MQA Studio file, which has either been approved in the studio by the artist/producer or has been verified by the copyright owner.

### Turning the unit on and off



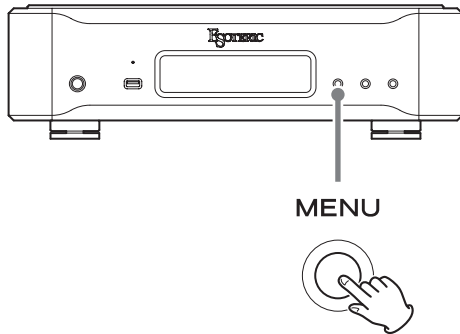
POWER



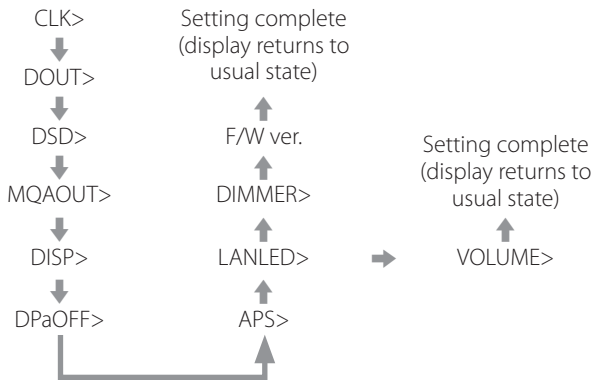
Press the POWER button to turn the unit on when off or off when on. When the unit is on, the ring around this button lights blue, and the unit display becomes lit.

- After turning the unit on, use the app to control playback.
- When using this unit, turn on the D/A converter, amplifier and other devices that are connected to it. When doing this, turn the amplifier on last.

## 1 Press the MENU button repeatedly to select the item to change.

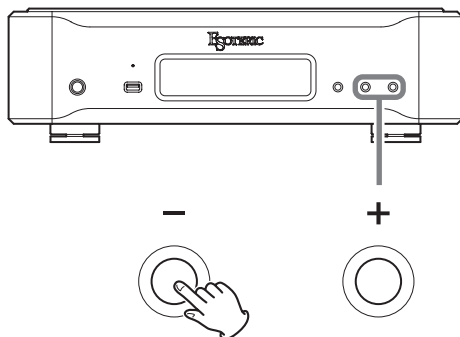


Each time you press the MENU button, the item shown on the display changes as follows.



- To open VOLUME>, press and hold the – setting adjustment button when LANLED> is shown. After setting this, press the MENU button to close the settings.
- If you do nothing for ten or more seconds, setting mode will end and ordinary display will resume.

## 2 Use the setting adjustment (+/–) buttons to change the settings.



For information about the settings, see pages 13–15.

- If you do nothing for ten or more seconds, setting mode will end and ordinary display will resume.
- Settings are retained even if the power plug is disconnected.

## Meanings of items shown in setting mode

### CLK>\*\*\*

Clock mode setting

### DOUT>\*\*\*

Output connector setting

### DSD>\*\*\*

DSD output setting

### MQAOUT>\*\*\*

MQA output setting

### DISP>\*\*\*

Network display setting

### DPaOFF>\*\*\*

Automatic display darkening setting

### APS>\*\*\*

Automatic power saving setting

### LANLED>\*\*\*

ETHERNET port LED setting

### DIMMER>\*\*\*

Dimmer setting

### F/W ver.

Showing firmware versions

### VOLUME>\*\*\*

Volume adjustment setting

## Clock mode setting

### CLK>\*\*\*

- This is only activated when the output connector setting is XLR or RCA.
- When the output connector setting is USB, the connected D/A converter controls the clock, so there is no need to supply an external clock signal to this unit.
- By default, the setting is OFF.

### OFF

The built-in crystal oscillator operates as the master clock.

### IN

The built-in crystal oscillator is synchronized to an external clock.

## Output connector setting

### DOUT>\*\*\*

- By default, the setting is USB.

### USB

The digital signal is output from the USB port.

### XLR

The digital signal is output from the XLR connector.

### RCA

The digital signal is output from the RCA connector.

## DSD output setting

### DSD>\*\*\*

- This is only activated when the output connector setting is XLR or RCA.
- By default, the setting is DoP.

This sets the DSD data output format when connected to a D/A converter using the XLR or RCA connector.

### DoP

DSD data is output in DoP format.

- If the connected D/A converter supports DoP, set this to DoP to enable playback in DSD format.

### PCM

DSD data is converted to PCM and output.

- If the connected D/A converter does not support DoP, set this to PCM to enable conversion to PCM format for playback.

## MQA output setting

### MQAOUT>\*\*\*

- By default, the setting is ON.

### ON

MQA files are decoded by this unit and output.

### PTH

MQA files are passed through and output as is.

- Set to PTH when connected to a D/A converter that supports MQA decoding.

### OFF

MQA files are output as PCM.

## Network display setting

### DISP>\*\*\*

- By default, the setting is Fs.

### Fs

This shows the sampling frequency being input.

If there is no input signal or the unit is not locked to the input signal, the input sampling frequency is not shown.

### TIME

This shows the elapsed time of the song being played.

## Automatic display darkening setting

### DPaOFF>\*\*\*

- By default, the setting is ON.

You can set the display to darken automatically after a set amount of time has elapsed.

### ON

The display will automatically darken if the information shown on it does not change for 10 minutes.

### OFF

The display will not automatically darken, but if nothing changes for 10 minutes, its brightness will be lowered to the level of DIMMER>1 to reduce long-term display fading.

- We recommend that you set the automatic display darkening function to ON. If the display is left showing the same thing for a long time, brightness irregularities and other problems could arise.

## Automatic power saving setting

### APS>\*\*\*

- By default, the setting is 30m.

The unit will automatically turn off if playback remains stopped for the set amount of time.

### 30m

30 minutes

### 60m

60 minutes

### 90m

90 minutes

### 120m

120 minutes

### OFF

The automatic power saving function is disabled.

## ETHERNET port LED setting

### LANLED>\*\*\*

- By default, the setting is ON.

- Even when set to OFF, the LED will blink immediately after a LAN cable is connected and while the unit is initializing after being turned on (while "WAIT..." displayed).

### ON

Lighting and blinking of the ETHERNET port LED are enabled.

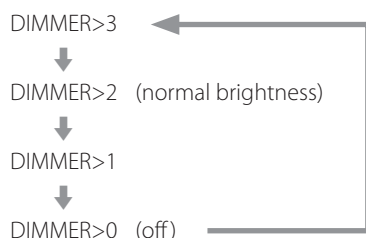
### OFF

The ETHERNET port LED stays unlit during playback operations.

## Dimmer setting

### DIMMER>\*\*\*

- By default, the setting is 2.
- You can adjust the brightness of this unit's display.



- The dimmer of this unit can be adjusted using the DIMMER button of a remote control included with another ESOTERIC product.
- Even when set to DIMMER>1 or DIMMER>0, setting menus and error messages will be shown with normal brightness (DIMMER>2).

## Showing firmware versions

### F/W ver.

Press the + setting adjustment button when "F/W ver." is shown to check the versions of other firmware.

### I/F \*\*\*\*

I/F firmware

### NET \*\*\*\*

Network firmware

## Volume adjustment setting

### VOLUME>\*\*\*

- By default, the setting is OFF.

#### OFF (recommended)


This disables app volume adjustment.

Digital signals are output as is without passing through the volume adjustment block.

#### ON

This enables app volume adjustment.

Since volume is adjusted in the digital domain, DSD data is converted to PCM data.

- 11.2/22.5MHz DSD audio files cannot be played.
- When this setting is ON,  will appear at the top left of the unit's display.

## RAAT mode

- This function is supported from interface firmware v3.00 and NET firmware 150.

RAAT mode, which functions only with RAAT (Roon Advanced Audio Transport), can be selected.

In order to maximize music playback performance using Roon, RAAT mode stops other services that are supported in normal mode, including OpenHome, Spotify Connect and Tidal Connect.

Operation is possible only from the Roon control app.

### Making RAAT mode settings

#### 1 Select Showing firmware versions (F/W ver.) in setting mode, and show NET.

#### 2 Press and hold the – setting adjustment button on the unit.

NETM > RAAT will blink.

#### 3 Press and hold the + setting adjustment button on the unit.

This selects RAAT mode and automatically restarts the unit's network player program. After restarting, music playback will only be possible with Roon.

- When operating in RAAT mode, RAAT will appear on the unit's display.
- When in RAAT mode, this unit will not be recognized by OpenHome control apps, including ESOTERIC Sound Stream, or Spotify or Tidal apps.

### Switching back to normal mode from RAAT mode

#### 1 Select Showing firmware versions (F/W ver.) in setting mode, and show NET.

#### 2 Press and hold the – setting adjustment button on the unit.

NETM > NORM will blink.

#### 3 Press and hold the + setting adjustment button on the unit.

This disables RAAT mode, reactivates normal mode and automatically restarts the unit's network player program. After restarting, OpenHome and other services will be usable.

# Troubleshooting

If you experience a problem with this unit, please take a moment to review the following information before requesting service. Moreover, the problem might be caused by something other than this unit. Please also check the operation of the connected units. If this product still does not operate correctly, contact the retailer where you purchased it.

## General

### The unit does not turn on.

- ➔ Insert the power plug into an outlet.
- ➔ Check the connection of the power cord to this unit.

### The unit automatically turns off.

- ➔ This is because the automatic power saving function turned the unit off.  
Press the POWER button on the main unit to turn it on.  
Change the automatic power saving setting if necessary (page 14).

### The unit does not respond when buttons are pressed.

- ➔ Multiple button presses without pause can cause the unit to stop responding. After pressing a button, wait momentarily for the unit to respond.

### There is noise.

- ➔ Place the unit as far away as possible from TVs and other devices that have strong magnetism.

### No sound is output from the speakers. The sound is distorted.

- ➔ Check the connections with the amp and the speakers.
- ➔ Adjust the volume of the amplifier and other devices.
- ➔ No sound is output when playback is paused. Use the app to resume ordinary playback.

## Clock sync

### The CLOCK indicator does not stop blinking.

- ➔ Set clock mode to OFF when not using it.
- ➔ A clock signal to which the unit cannot synchronize might be being input. Confirm that the clock output frequency of the clock generator is 10 MHz. In addition, check the connection of the 10MHz IN CLOCK connector and the settings of the connected devices.

### A cyclical noise is being output.

- ➔ If a cyclical noise is being output when the unit is in clock mode, the connected device might not also be in clock mode. Check the connection of the 10MHz IN CLOCK connector and the clock mode setting of the connected device.

### An audio file cannot be played back (correctly).

- ➔ Different media servers (NAS) support different types of files. Check the specifications of the media server (NAS), too.

### The sound breaks up during playback.

- ➔ If files that use lossy compression, including MP3s, and files at 44.1 kHz and other low bit rates play back normally, but the sounds of files at 384 kHz and other high bit rates as well as FLAC and other files that use lossless compression break up, the ETHERNET speed might be too slow.  
The audio data is transmitted from the NAS through the router. For this reason, using LAN cables to connect the NAS to the router and the router to this unit is preferable.

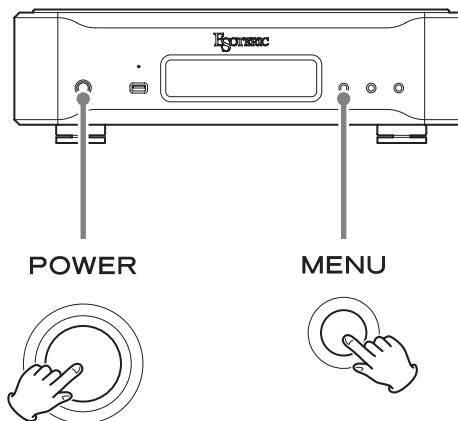
### The sampling frequency (DSD 22M) is not shown.

- ➔ Update the firmware to version 1.03 or newer.

## Restoring factory settings

Settings are retained even if the power plug is disconnected.

Follow these procedures to restore all settings to their factory defaults and clear the unit's memory.



Press the POWER button while holding down the MENU button on the main unit.

### Note about condensation

If this unit is brought from a cold outdoor environment into a warm room, or the heater has just been turned on in the room where it is located, for example, condensation might occur, resulting in improper operation. If this occurs, leave the unit on and wait 1–2 hours. This should enable normal playback.



## Network section

Supported file formats	
PCM lossless	FLAC, Apple Lossless (ALAC), WAV, AIFF, MQA
DSD lossless	DSF, DSDIFF (DFF), DoP
Compressed audio	MP3, AAC (m4a container)
ETHERNET port	1 (1000BASE-T)
USB drive ports	2 USB 2.0 or higher recommended
Supported file systems	FAT32, NTFS Single partition
Maximum current supply	0.5 A
Supported sampling frequencies	
PCM	44.1–384 kHz, 16/24/32 bit (For 32-bit, only files with integer format can be played.)
DSD	2.8 MHz, 5.6 MHz, 11.2 MHz, 22.5 MHz

## Digital outputs

USB port (USB 2.0 standard)	1
XLR connector	1
Output level	3 Vp-p (into 110 $\Omega$ )
RCA connector	1
Output level	0.5 Vp-p (into 75 $\Omega$ )
● The following are the maximum limits for output from the XLR and RCA connectors.	
PCM	44.1–192 kHz, 16/24 bit
DSD	2.8 MHz (DoP)

## Clock input

BNC connector	1
Input impedance	50 $\Omega$
Frequencies that can be input	10 MHz ( $\pm 10$ ppm)
Input level	
Rectangle wave	equivalent to TTL levels
Sine wave	0.5 to 1.0 Vrms

## General

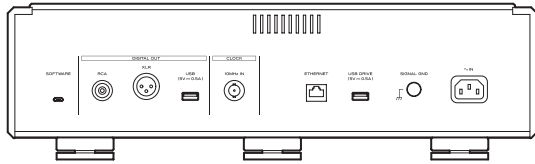
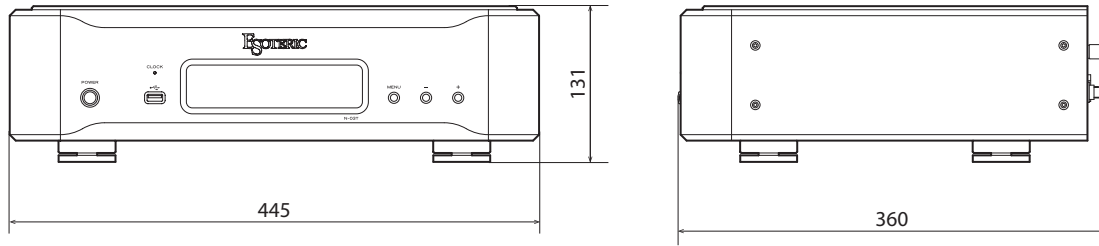
Power supply	
Model for Europe	AC 220–240 V, 50/60 Hz
Model for USA/Canada	AC 120 V, 60 Hz
Model for Korea	AC 220 V, 60 Hz
Power consumption	31 W
External dimensions (W $\times$ H $\times$ D, including protrusions)	445 $\times$ 131 $\times$ 360 mm (17 5/8" $\times$ 5 1/4" $\times$ 14 1/4")
Weight	17 kg (37 1/2 lb)
Operating temperature	+5°C to +35°C
Operating humidity range	5% to 85% (no condensation)
Storage temperature	–20°C to +55°C

## Included accessories

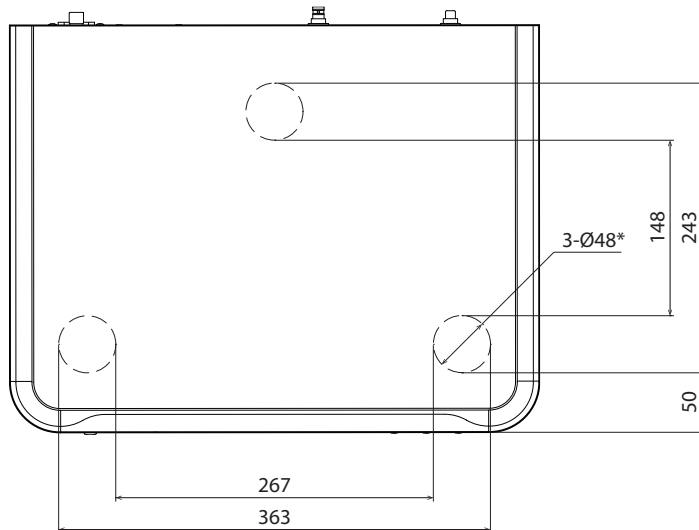
Power cord	$\times$ 1
Felt pads	$\times$ 3
Owner's manual (this document)	$\times$ 1
Warranty card	$\times$ 1

- Illustrations in this manual might differ slightly from production models.
- Weight and dimensions are approximate.
- Design and specifications are subject to change without notice.

# Dimensional drawings



## Foot placement diagram



\*48mm diameter feet × 3

Dimensions in millimeters (mm)

# INSTRUCTIONS DE SÉCURITÉ IMPORTANTES



Le symbole d'éclair à tête de flèche dans un triangle équilatéral sert à prévenir l'utilisateur de la présence dans l'enceinte du produit d'une « tension dangereuse » non isolée d'une grandeur suffisante pour constituer un risque d'électrocution pour les personnes.



Le point d'exclamation dans un triangle équilatéral sert à prévenir l'utilisateur de la présence d'instructions importantes de fonctionnement et de maintenance (entretien) dans les documents accompagnant l'appareil.

**AVERTISSEMENT : POUR PRÉVENIR LES RISQUES D'INCENDIE ET D'ÉLECTROCUTION, N'EXPOSEZ PAS CET APPAREIL À LA PLUIE NI À L'HUMIDITÉ.**

## ATTENTION

- NE RETIREZ PAS LES CAPOTS EXTERNES OU BOÎTIERS POUR EXPOSER L'ÉLECTRONIQUE. AUCUNE PIÈCE INTERNE N'EST RÉPARABLE PAR L'UTILISATEUR.
  - SI VOUS RENCONTREZ DES PROBLÈMES AVEC CE PRODUIT, CONTACTEZ LE MAGASIN OÙ VOUS AVEZ ACHETÉ L'UNITÉ. N'UTILISEZ PAS LE PRODUIT TANT QU'IL N'A PAS ÉTÉ RÉPARÉ.
  - L'UTILISATION DE COMMANDES, DE RÉGLAGES OU LE SUIVI DE PROCÉDURES AUTRES QUE CE QUI EST DÉCRIT DANS CE DOCUMENT PEUT PROVOQUER UNE EXPOSITION À UN RAYONNEMENT DANGEREUX.
- 1) Lisez ces instructions.
  - 2) Conservez ces instructions.
  - 3) Tenez compte de tous les avertissements.
  - 4) Suivez toutes les instructions.
  - 5) N'utilisez pas cet appareil avec de l'eau à proximité.
  - 6) Ne nettoyez l'appareil qu'avec un chiffon sec.
  - 7) Ne bloquez aucune ouverture de ventilation. Installez-le conformément aux instructions du fabricant.
  - 8) N'installez pas l'appareil près de sources de chaleur telles que des radiateurs, bouches de chauffage, poêles ou autres appareils (y compris des amplificateurs) dégageant de la chaleur.

- 9) Ne neutralisez pas la fonction de sécurité de la fiche polarisée ou de terre. Une fiche polarisée a deux broches, l'une plus large que l'autre. Une fiche de terre a deux broches identiques et une troisième broche pour la mise à la terre. La broche plus large ou la troisième broche servent à votre sécurité. Si la fiche fournie n'entre pas dans votre prise, consultez un électricien pour le remplacement de la prise obsolète.
- 10) Évitez de marcher sur le cordon d'alimentation et de le pincer, en particulier au niveau des fiches, des prises secteur, et du point de sortie de l'appareil.
- 11) N'utilisez que des fixations/accessoires spécifiés par le fabricant.
- 12) Utilisez-le uniquement avec des chariots, socles, trépieds, supports ou tables spécifiés par le fabricant ou vendus avec l'appareil. Si un chariot est utilisé, faites attention à ne pas être blessé par un renversement lors du déplacement de l'ensemble chariot/appareil.
- 13) Débranchez cet appareil en cas d'orage ou de non utilisation prolongée.
- 14) Confiez toute réparation à des techniciens de maintenance qualifiés. Une réparation est nécessaire si l'appareil a été endommagé d'une quelconque façon, par exemple si le cordon ou la fiche d'alimentation est endommagé, si du liquide a été renversé sur l'appareil ou si des objets sont tombés dedans, si l'appareil a été exposé à la pluie ou à l'humidité, s'il ne fonctionne pas normalement, ou s'il est tombé.



- L'appareil tire un courant nominal de veille de la prise secteur quand son interrupteur POWER ou STANDBY/ON n'est pas en position ON.
- La fiche secteur est utilisée comme dispositif de déconnexion et doit donc toujours rester disponible.
- Des précautions doivent être prises en cas d'utilisation d'écouteurs ou d'un casque avec le produit car une pression sonore excessive (volume trop fort) dans les écouteurs ou dans le casque peut causer une perte auditive.

## AVERTISSEMENT

Les produits ayant une construction de Classe **I** sont équipés d'un cordon d'alimentation avec une fiche de terre. Le cordon d'un tel produit doit être branché dans une prise secteur avec terre de sécurité.

**AUX USA/CANADA, UTILISEZ UNIQUEMENT UNE TENSION D'ALIMENTATION DE 120 V.**

## ATTENTION

- N'exposez pas cet appareil aux gouttes ni aux éclaboussures.
- Ne placez pas d'objet rempli de liquide sur l'appareil, comme par exemple un vase.
- N'installez pas cet appareil dans un espace confiné comme une bibliothèque ou un meuble similaire.
- L'appareil doit être placé suffisamment près de la prise de courant pour que vous puissiez à tout moment attraper facilement la fiche du cordon d'alimentation.
- Si le produit utilise des piles/batteries (y compris un pack de batteries ou des piles installées), elles ne doivent pas être exposées au soleil, au feu ou à une chaleur excessive.
- PRÉCAUTION pour les produits qui utilisent des batteries remplaçables au lithium : remplacer une batterie par un modèle incorrect entraîne un risque d'explosion. Remplacez-les uniquement par un type identique ou équivalent.

## Modèle pour le Canada

Déclaration de conformité d'Innovation, Sciences et Développement économique Canada :  
CET APPAREIL NUMÉRIQUE DE LA CLASSE B EST CONFORME À LA NORME NMB-003 DU CANADA



## Modèle pour l'Europe



Ce produit est conforme aux directives européennes et aux autres réglementations de la Commission européenne.

## Pour les consommateurs européens

### Mise au rebut des équipements électriques et électroniques et des piles et/ou accumulateurs

- a) Tout équipement électrique/électronique et pile/accumulateur hors d'usage doit être traité séparément de la collecte municipale d'ordures ménagères dans des points de collecte désignés par le gouvernement ou les autorités locales.
- b) En vous débarrassant correctement des équipements électriques/électroniques et piles/accumulateurs hors d'usage, vous contribuerez à la sauvegarde de précieuses ressources et à la prévention de potentiels effets négatifs sur la santé humaine et l'environnement.
- c) Le traitement incorrect des équipements électriques/électroniques et piles/accumulateurs hors d'usage peut avoir des effets graves sur l'environnement et la santé humaine en raison de la présence de substances dangereuses dans les équipements.
- d) Le symbole de déchets d'équipements électriques et électroniques (DEEE), qui représente une poubelle à roulettes barrée d'une croix, indique que les équipements électriques/électroniques et piles/accumulateurs doivent être collectés et traités séparément des déchets ménagers.   
Si une pile ou un accumulateur contient plus que les valeurs de plomb (Pb), mercure (Hg) et/ou cadmium (Cd) spécifiées dans la directive sur les piles et accumulateurs (2006/66/CE, 2013/56/UE), alors les symboles chimiques de ces éléments seront indiqués sous le symbole DEEE.  **Pb, Hg, Cd**
- e) Des systèmes de retour et de collecte sont disponibles pour l'utilisateur final. Pour des informations plus détaillées sur la mise au rebut des vieux équipements électriques/électroniques et piles/accumulateurs hors d'usage, veuillez contacter votre mairie, le service d'ordures ménagères ou le magasin dans lequel vous avez acquis l'équipement.

## Sommaire

INSTRUCTIONS DE SÉCURITÉ IMPORTANTES.....	19
Avant l'utilisation .....	22
Contenu de l'emballage .....	22
Note sur les pieds de découplage .....	22
Entretien .....	22
Précautions d'emploi .....	22
Connexions réseau .....	23
Faire les branchements .....	24
Nomenclature et fonctions des parties.....	26
Utilisation des fonctions de transport réseau.....	27
MQA (Master Quality Authenticated).....	28
Fonctionnement de base .....	28
Mise sous et hors tension de l'unité.....	28
Mode de réglage .....	29
Signification des messages affichés en mode de réglage.....	29
Réglage de mode d'horloge.....	29
Choix de la prise de sortie .....	29
Réglage de sortie DSD.....	30
Réglage de sortie MQA .....	30
Réglage d'affichage réseau .....	30
Réglage d'assombrissement automatique de l'écran .....	30
Réglage d'économie automatique d'énergie .....	30
Réglage de LED du port ETHERNET .....	30
Réglage d'atténuateur.....	31
Affichage des versions de firmware .....	31
Activation du réglage de volume .....	31
Mode RAAT.....	31
Guide de dépannage .....	32
Généralités.....	32
Synchronisation d'horloge.....	32
Rappel des réglages d'usine .....	32
Caractéristiques techniques.....	33
Schémas avec cotes .....	34

Nous vous remercions d'avoir choisi ce produit ESOTERIC.  
Lisez attentivement ce mode d'emploi pour tirer les meilleures performances de ce produit. Après l'avoir lu, gardez-le en lieu sûr avec la carte de garantie pour vous y référer ultérieurement.

Le mode d'emploi peut être téléchargé depuis le site web ESOTERIC (<https://www.esoteric.jp/en/>).

Pour utiliser cette unité, vous devez également employer une tablette ou un smartphone avec l'appli dédiée (gratuite) installée et la connecter au même réseau que l'unité.

### ATTENTION

Cette unité ne produit des signaux numériques que par le type de prise sélectionné.

Réglez la sortie numérique sur USB, XLR ou RCA avant l'utilisation.

Voir « Mode de réglage » et « Choix de la prise de sortie » en page 29.



MQA and the Sound Wave Device are registered trade marks of MQA Limited.© 2016



Being Roon Ready means that ESOTERIC uses Roon streaming technology, for an incredible user interface, simple setup, rock-solid daily reliability, and the highest levels of audio performance, without compromise.

"DSD" is a registered trademark.

Apple is a trademark of Apple Inc., registered in the U.S. and other countries.

App Store is a service mark of Apple Inc.

iOS is a trademark or registered trademark of Cisco in the U.S. and other countries and is used under license.

Android is a trademark of Google Inc.

Google Play is a trademark of Google Inc.

Wi-Fi is a trademark or registered trademark of Wi-Fi Alliance.

ESOTERIC is a trademark of TEAC CORPORATION, registered in the U.S. and other countries.

Les autres noms de société, noms de produit et logos présents dans ce document sont des marques commerciales ou déposées de leurs détenteurs respectifs.

Des informations sur les droits d'auteur et les licences relatives aux logiciels libres sont fournies dans le document séparé « Important Notice Regarding Software » (Avis important concernant les logiciels).

### Contenu de l'emballage

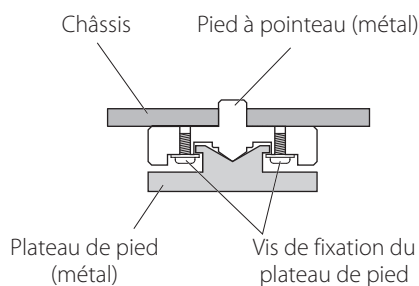
Vérifiez que vous disposez bien de tous les accessoires indiqués ci-dessous. Veuillez contacter le magasin dans lequel vous avez acheté cette unité si l'un de ces accessoires manque ou a été endommagé durant le transport.

- Cordon d'alimentation × 1
- Patins en feutre × 3
- Mode d'emploi (ce document) × 1
- Carte de garantie × 1

### Note sur les pieds de découplage

Des pieds à pointe métallique de haute précision sont solidement fixés à la plaque inférieure de cette unité.

Leur plateau de protection n'est pas fixé de façon rigide, mais quand l'unité est posée à sa place, elle est soutenue par ces pieds à pointe, qui dispersent efficacement les vibrations.



- Fixez les patins de feutre fournis sous les pieds de protection pour éviter de rayer la surface sur laquelle est placée l'unité.

### Entretien

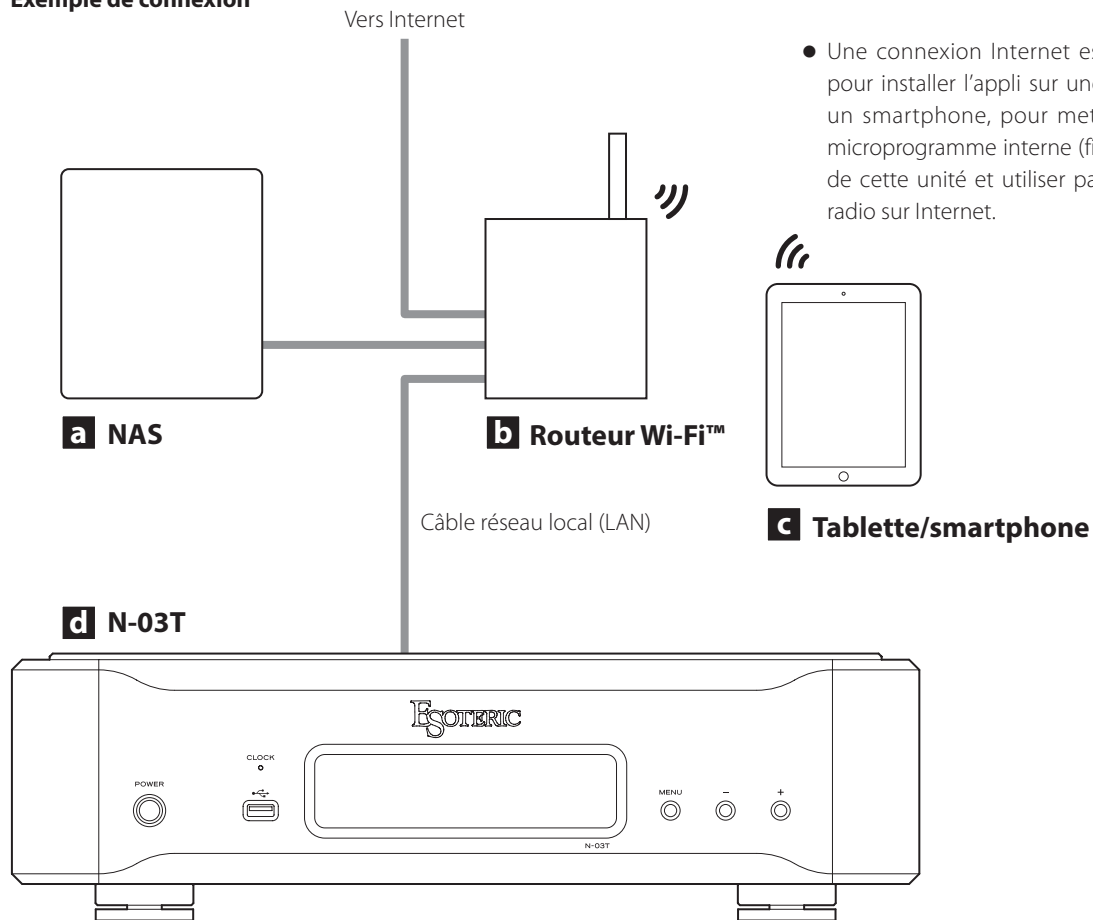
Utilisez un chiffon sec et doux pour nettoyer la surface de l'unité. Pour les taches tenaces, utilisez un chiffon humide soigneusement essoré afin d'éliminer l'excès d'humidité.

- Ne vaporisez jamais du liquide directement sur cette unité.
- N'utilisez pas de lingettes de nettoyage imbibées de produit chimique, de diluant ou d'autres agents chimiques. Cela pourrait endommager la surface.
- Évitez un contact prolongé de l'unité avec des matériaux caoutchouteux ou plastiques car ceux-ci peuvent endommager le boîtier.

**⚠ Par sécurité, débranchez le cordon d'alimentation de la prise secteur avant tout nettoyage.**

- Ne placez rien sur l'unité.
- N'installez pas cette unité dans un lieu qui pourrait chauffer. Cela comprend les endroits exposés directement au soleil ou près d'un radiateur, d'un chauffage, d'une cuisinière ou d'autres appareils chauffants. En outre, ne la placez pas au-dessus d'un amplificateur ou autre équipement dégageant de la chaleur. Cela pourrait causer une décoloration ou une déformation.
- Afin de permettre une bonne dissipation de la chaleur, laissez au moins 20 cm entre cette unité et les murs et les autres équipements lors de l'installation. Si vous la placez dans un rack, prenez les précautions nécessaires pour éviter la surchauffe en laissant au moins 5 cm d'espace libre au-dessus de l'unité et au moins 10 cm derrière. Ne pas laisser ces espaces peut faire monter la température au risque d'entraîner un incendie.
- Placez l'unité dans un endroit stable.
- Ne déplacez pas l'unité durant l'utilisation.
- En raison du poids de l'unité, prenez garde à ne pas vous blesser quand vous la déplacez. Faites vous aider si nécessaire quand vous la déplacez.
- La tension d'alimentation de l'unité doit correspondre à la tension imprimée sur son panneau arrière. Si vous avez des doutes à ce sujet, consultez un électricien.
- N'ouvrez pas le boîtier de l'unité car cela peut endommager les circuits ou causer un choc électrique. Si un objet étranger pénètre dans l'unité, consultez votre revendeur.
- Quand vous débranchez le cordon d'alimentation de la prise secteur, tirez toujours sur sa fiche, jamais sur le cordon.

## Exemple de connexion



- Une connexion Internet est nécessaire pour installer l'appli sur une tablette ou un smartphone, pour mettre à jour le microprogramme interne (firmware) NET de cette unité et utiliser par exemple la radio sur Internet.

### **a** Serveur NAS (Network-Attached Storage) de stockage en réseau

Sert à stocker les fichiers audio.  
Pour qu'il puisse servir de serveur de médias, il doit fonctionner comme serveur UPnP.

### **b** Routeur Wi-Fi™

Utilisez le Wi-Fi pour connecter la tablette ou le smartphone à cette unité et au NAS.

### **c** Tablette/smartphone

Installez l'appli pour contrôler cette unité.

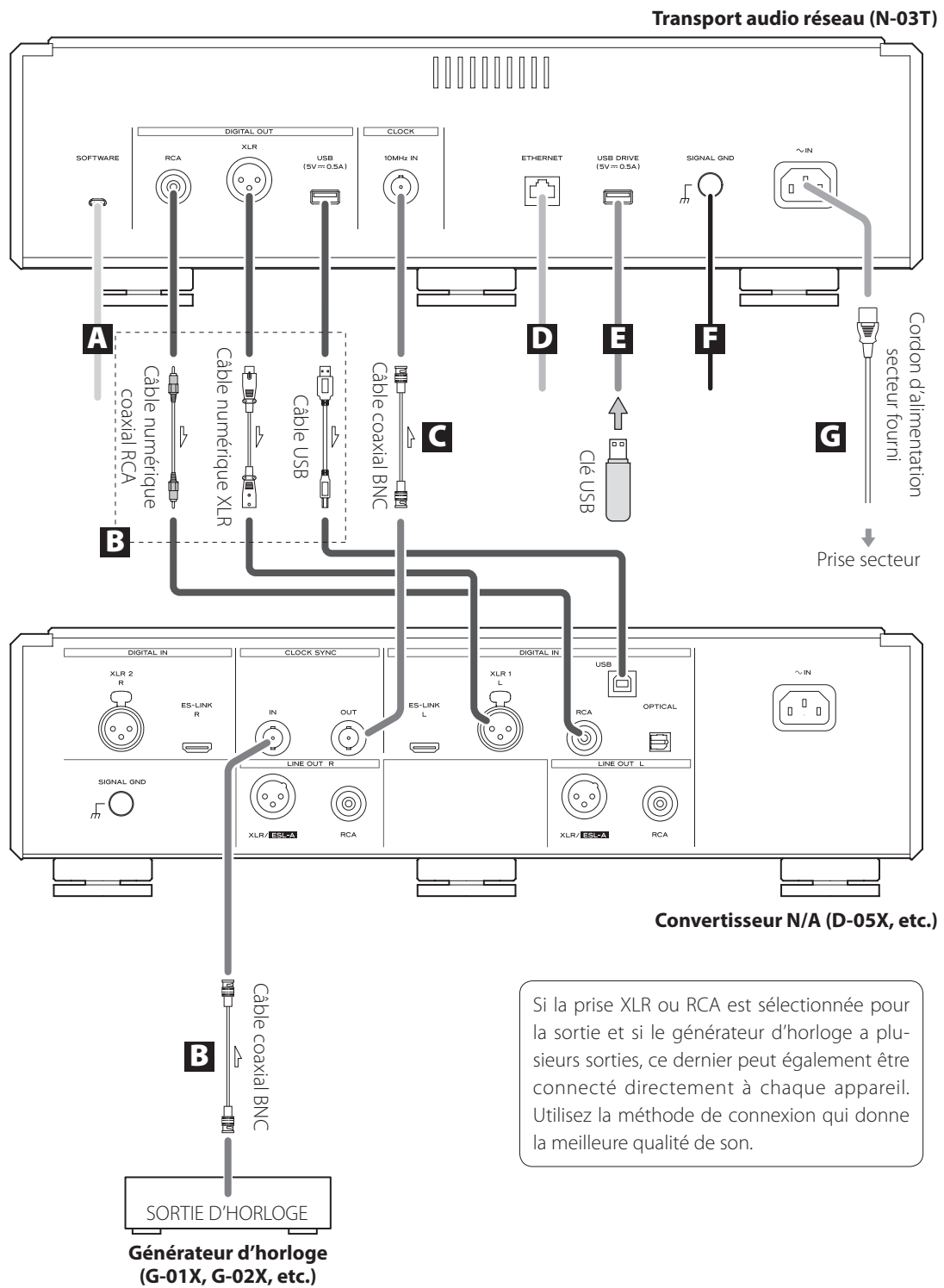
### **d** N-03T

Cette unité.

# Faire les branchements

## ⚠ Précautions lors des branchements

- Après avoir terminé tous les autres branchements, insérez la fiche du cordon d'alimentation dans une prise secteur.
- Lisez les modes d'emploi de tous les appareils qui seront connectés et suivez leurs instructions.





**A Port de maintenance (SOFTWARE)**

Sert à la maintenance. N'y branchez rien sauf si vous êtes invité à le faire par notre service après-vente.

**B Prises de sortie audio numérique (DIGITAL OUT)**

Elles produisent le signal audio numérique. Reliez-les aux prises d'entrée numérique d'un convertisseur N/A (tel qu'un D-05X), d'un lecteur SACD ou d'un autre appareil.

**Utilisez des câbles du commerce pour les connexions suivantes.**

- USB : câble USB
- XLR : câble numérique XLR
- RCA : câble numérique coaxial RCA

- Utilisez un des câbles ci-dessus pour raccorder l'unité à un appareil avec entrée numérique.

**Modifiez les réglages de sortie en fonction des prises utilisées (page 29).**

**C Prise d'entrée horloge 10 MHz (10MHz IN CLOCK)**

En cas de sortie par la prise XLR ou RCA, un signal de synchronisation (horloge) de 10 MHz peut être reçu (page 29).

Si vous utilisez un générateur d'horloge maître, raccordez sa sortie d'horloge à la prise 10MHz IN CLOCK de cette unité.

**Pour le branchement, utilisez un câble coaxial BNC du commerce.**

**D Port ETHERNET**

Utilisez un câble réseau local (LAN) pour la connexion à un réseau (page 23).

**Pour le branchement, utilisez un câble réseau local (LAN) du commerce.**

**E Port pour supports USB (USB DRIVE)**

Insérez ici des clés USB contenant des fichiers audio.

- L'alimentation maximale est de 0,5 A.
- Ce port ne peut être utilisé que pour lire des fichiers musicaux contenus dans une clé USB connectée.


**F Borne de masse SIGNAL GND**

Raccorder cette borne de mise à la masse à celle du convertisseur N/A, amplificateur ou autre appareil peut améliorer la qualité audio.

- Ce n'est pas un branchement de terre de sécurité électrique.

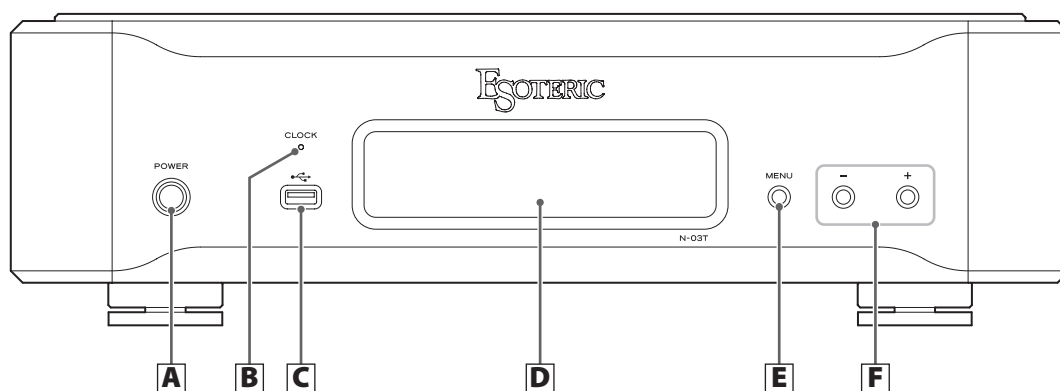
**G Prise d'entrée d'alimentation (~IN)**

Branchez le cordon d'alimentation secteur fourni à cette prise. Après avoir terminé tous les autres branchements, insérez la fiche du cordon d'alimentation dans une prise secteur.

 **N'utilisez qu'un authentique cordon d'alimentation ESOTERIC. L'utilisation d'autres cordons d'alimentation peut entraîner un incendie ou un choc électrique.**

 **Débranchez le cordon de la prise secteur en cas de non-utilisation prolongée de l'unité.**

**Utilisez un câble coaxial BNC d'une impédance de 50 Ω ou 75 Ω.**



## **A** Touche POWER

Sert à mettre l'unité sous et hors tension.

Quand l'unité est sous tension, le pourtour de la touche est allumé en bleu.

Quand l'unité est hors tension, le pourtour de la touche est éteint.

Quand vous n'utilisez pas l'unité, éteignez-la.

## **B** Voyant CLOCK

Indique le statut de synchronisation d'horloge.

Lorsque le paramètre de synchronisation d'horloge est réglé sur IN, ce voyant commence à clignoter. Quand un signal d'horloge est détecté et que la synchronisation se fait, il cesse de clignoter et reste allumé fixement.

- Quand la sortie est réglée sur USB, il est éteint.

## **C** Port pour supports USB (🔌)

Insérez ici des clés USB contenant des fichiers musicaux.

- Ce port ne peut être utilisé que pour lire des fichiers musicaux contenus dans une clé USB connectée.

## **D** Écran

Affiche la durée de lecture, la fréquence d'échantillonnage et d'autres informations.

## **E** Touche MENU

Sert à passer en mode de réglage (page 29).

## **F** Touches de réglage de paramètre (+/-)

Servent à changer les valeurs des paramètres en mode de réglage.

- Vous ne pouvez pas changer le volume avec cette unité.

### **Touche +**

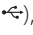
Cette touche fait alterner l'affichage entre durée de lecture et fréquence d'échantillonnage.

# Utilisation des fonctions de transport réseau

Les fonctions de transport réseau de cette unité prennent en charge OpenHome, Roon Ready, Spotify Connect, Tidal Connect et d'autres services. La musique peut être écoutée au moyen d'applications compatibles avec ces services.

- L'appli ESOTERIC Sound Stream, qui est compatible avec iOS et Android, peut être utilisée pour le contrôle par OpenHome. Recherchez « ESOTERIC Sound Stream » sur l'App Store ou Google Play Store.



- Consultez le mode d'emploi d'ESOTERIC Sound Stream ([https://www.esoteric.jp/en/product/sound\\_stream/download](https://www.esoteric.jp/en/product/sound_stream/download)) pour préparer des playlists et lire des fichiers audio.
- Pour utiliser le port ETHERNET ou les ports USB (USB DRIVE et ) , vous devez également employer une tablette ou un smartphone avec l'appli dédiée (gratuite) installée et la connecter au même réseau que l'unité.
- Le firmware de module réseau se met à jour avec ESOTERIC Sound Stream. Nous vous recommandons donc de sélectionner régulièrement cette unité dans ESOTERIC Sound Stream afin de la mettre à jour avec le tout dernier firmware.  
Une fenêtre de dialogue recommandant une mise à jour du firmware apparaîtra si une telle mise à jour est disponible.

## OpenHome <http://openhome.org/>

Les données de playlist sont stockées dans cette unité. Les morceaux stockés sur un NAS ou une clé USB connectés à cette unité peuvent être ajoutés aux playlists et lus avec ESOTERIC Sound Stream ou une autre application compatible avec le contrôle par OpenHome. Avec ESOTERIC Sound Stream, les morceaux souhaités provenant de Tidal, Qobuz et d'autres services de streaming peuvent également être ajoutés aux playlists. Les playlists étant stockées sur le dispositif de lecture lors qu'on utilise OpenHome, une fois la musique ajoutée à une playlist, la lecture dans l'ordre édicté par cette dernière est possible même après avoir quitté l'appli de contrôle.

## Roon Ready <https://roonlabs.com/>

Cette unité prend en charge la lecture de musique depuis Roon, l'appli de lecture et de gestion de la musique publiée par Roon Labs. Un système Roon se compose de trois éléments : contrôle, noyau et sortie. Cette unité sert de sortie audio prenant en charge le RAAT (Roon Advanced Audio Transport), qui est un format de transmission audio de haute qualité propre à Roon.

Cette unité permet de sélectionner le mode RAAT, qui donne des performances maximales lors de la lecture audio avec Roon. Ce mode est adapté à la lecture de musique avec Roon et arrête les autres services pris en charge en mode normal, notamment OpenHome, Spotify Connect et Tidal Connect.

- Voir page 31 pour les procédures de réglage du mode RAAT.
- En mode RAAT, le contrôle n'est possible qu'à partir de l'appli Roon.

## Spotify Connect <https://www.spotify.com/>

## Tidal Connect <https://tidal.com/>

Cette unité peut être sélectionnée comme sortie pour des applis dédiées aux services de streaming musical Spotify et Tidal. L'utilisation des applis optimisées pour ces services sur un smartphone ou un autre appareil permet la lecture de musique par cette unité au moyen d'opérations faciles, notamment la sélection de la musique.

### NOTE

Voir les applis des services pour les procédures de fonctionnement détaillées.

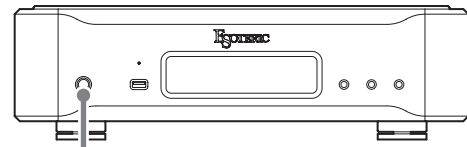
Le MQA est une technologie britannique primée qui restitue le son de l'enregistrement d'origine. Le fichier MQA maître est totalement authentifié et est suffisamment petit pour le streaming ou le téléchargement.

Visitez [mqa.co.uk](http://mqa.co.uk) pour plus d'informations.

Le N-03T dispose de la technologie MQA, qui vous permet de lire les fichiers audio et flux MQA, qui restituent le son de l'enregistrement d'origine.

« MQA » ou « MQA. » indique que le produit décode et lit un flux ou un fichier MQA, et désigne sa provenance pour s'assurer que le son est identique à celui du matériel source. « MQA. » indique la lecture d'un fichier MQA Studio, qui a été approuvé en studio par l'artiste/producteur ou vérifié par le titulaire des droits d'auteur.

## Mise sous et hors tension de l'unité



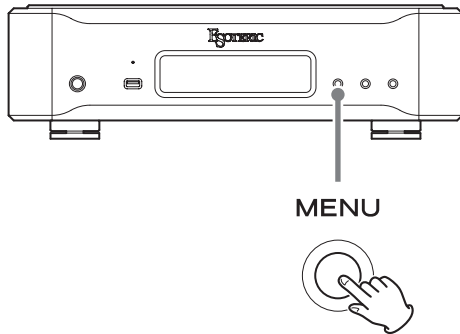
POWER



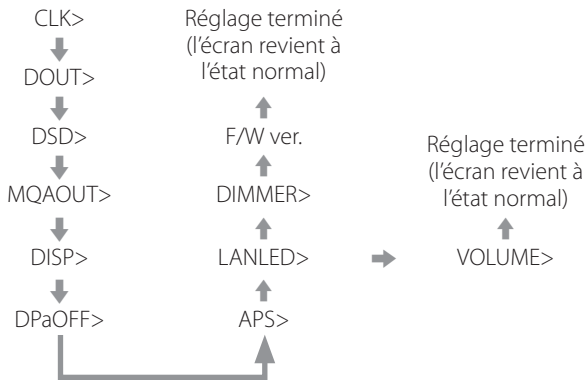
Appuyez sur la touche POWER pour allumer l'unité quand elle est éteinte et l'éteindre quand elle est allumée. Quand l'unité est sous tension, le pourtour de la touche est allumé en bleu et l'écran de l'unité est allumé.

- Après avoir allumé l'unité, utilisez l'appli pour contrôler la lecture.
- Lorsque vous utilisez cette unité, allumez le convertisseur N/A, l'amplificateur et les autres appareils qui lui sont branchés. Quand vous faites cela, allumez l'ampli en dernier.

## 1 Appuyez plusieurs fois sur la touche MENU pour sélectionner le paramètre à changer.

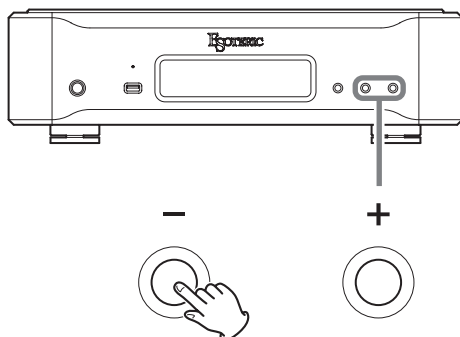


Chaque fois que vous appuyez sur la touche MENU, le paramètre affiché à l'écran change comme suit.



- c Après avoir réglé ce paramètre, appuyez sur la touche MENU pour fermer les réglages.
- Si vous ne faites rien durant au moins dix secondes, le mode de réglage est abandonné et l'affichage normal revient.

## 2 Utilisez les touches de réglage de paramètre (+/-) pour changer les réglages.



Pour des informations sur les réglages, voir les pages 29–31.

- Si vous ne faites rien durant au moins dix secondes, le mode de réglage est abandonné et l'affichage normal revient.
- Les réglages sont conservés même après déconnexion du cordon d'alimentation.

## Signification des messages affichés en mode de réglage

### CLK>\*\*\*

Réglage de mode d'horloge

### DOUT>\*\*\*

Choix de la prise de sortie

### DSD>\*\*\*

Réglage de sortie DSD

### MQAOUT>\*\*\*

Réglage de sortie MQA

### DISP>\*\*\*

Réglage d'affichage réseau

### DPaOFF>\*\*\*

Réglage d'assombrissement automatique de l'écran

### APS>\*\*\*

Réglage d'économie automatique d'énergie

### LANLED>\*\*\*

Réglage de LED du port ETHERNET

### DIMMER>\*\*\*

Réglage d'atténuateur

### F/W ver.

Affichage des versions de firmware

### VOLUME>\*\*\*

Activation du réglage de volume

## Réglage de mode d'horloge

### CLK>\*\*\*

- Cette fonction n'est activée que si la sortie est réglée sur XLR ou RCA.
- Lorsque la sortie est réglée sur USB, le convertisseur N/A raccordé contrôle l'horloge, il n'est donc pas nécessaire de fournir un signal d'horloge externe à cette unité.
- Par défaut, le réglage est OFF.

### OFF

L'oscillateur à cristal intégré sert d'horloge maître.

### IN

L'oscillateur à cristal intégré est synchronisé sur une horloge externe.

## Choix de la prise de sortie

### DOUT>\*\*\*

- Par défaut, le réglage est USB.

### USB

Le signal numérique est produit par le port USB.

### XLR

Le signal numérique est produit par la prise XLR.

### RCA

Le signal numérique est produit par la prise RCA.

## Réglage de sortie DSD

### DSD>\*\*\*

- Cette fonction n'est activée que si la sortie est réglée sur XLR ou RCA.
- Par défaut, le réglage est DoP.

Cela détermine le format de sortie des données DSD en cas de connexion à un convertisseur N/A par la prise XLR ou RCA.

### DoP

Les données DSD sont produites au format DoP.

- Si le convertisseur N/A connecté prend en charge le DoP, réglez ce paramètre sur DoP pour activer la lecture au format DSD.

### PCM

Les données DSD sont converties en PCM et produites.

- Si le convertisseur N/A connecté ne prend pas en charge le DoP, réglez ce paramètre sur PCM pour activer la conversion au format PCM en lecture.

## Réglage de sortie MQA

### MQAOUT>\*\*\*

- Par défaut, le réglage est ON (sortie activée).

### ON

Les fichiers MQA sont décodés par cette unité et produits en sortie.

### PTH

Les fichiers MQA traversent l'unité et sont produits tels quels.

- Choisissez le réglage PTH pour la connexion à un convertisseur N/A assurant le décodage MQA.

### OFF

Les fichiers MQA sont produits au format PCM.

## Réglage d'affichage réseau

### DISP>\*\*\*

- Par défaut, le réglage est Fs.

### Fs

Affiche la fréquence d'échantillonnage en entrée.

S'il n'y a pas de signal en entrée ou si l'unité n'est pas verrouillée sur le signal entrant, la fréquence d'échantillonnage de l'entrée ne s'affiche pas.

### TIME

Affiche le temps écoulé dans le morceau actuellement lu.

## Réglage d'assombrissement automatique de l'écran

### DPaOFF>\*\*\*

- Par défaut, le réglage est activé (ON).

Vous pouvez régler l'écran pour qu'il s'assombrisse automatiquement après écoulement d'un laps de temps défini.

### ON

L'écran s'obscurcit automatiquement si l'information qui y est affichée reste inchangée durant 10 minutes.

### OFF

L'affichage ne s'assombrit pas automatiquement, mais si rien ne change durant 10 minutes, sa luminosité est ramenée au niveau DIMMER>1 pour réduire l'usure à long terme de l'affichage.

- Nous vous recommandons de régler la fonction d'assombrissement automatique de l'écran sur ON. Si l'écran reste allumé longtemps sur les mêmes indications, des irrégularités de luminosité et d'autres problèmes peuvent survenir.

## Réglage d'économie automatique d'énergie

### APS>\*\*\*

- Par défaut, le réglage est 30m.

L'unité s'éteint automatiquement si la lecture reste à l'arrêt durant la période de temps définie ici.

### 30m

30 minutes

### 60m

60 minutes

### 90m

90 minutes

### 120m

120 minutes

### OFF

La fonction d'économie automatique d'énergie est désactivée.

## Réglage de LED du port ETHERNET

### LANLED>\*\*\*

- Par défaut, le réglage est ON.
- Même avec un réglage sur OFF, la LED clignote immédiatement après la connexion d'un câble réseau local (LAN) et pendant l'initialisation de l'unité après sa mise sous tension (quand « WAIT... » s'affiche).

### ON

L'allumage et le clignotement de la LED du port ETHERNET sont activés.

### OFF

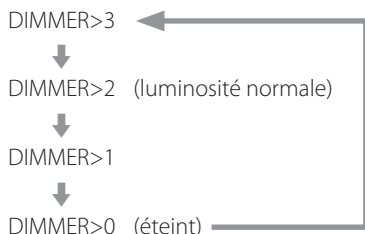
La LED du port ETHERNET reste éteinte pendant les opérations de lecture.

## Réglage d'atténuateur

### DIMMER>\*\*\*

- Elle est par défaut réglée sur 2.

Vous pouvez régler la luminosité de l'écran de cette unité.



- L'atténuateur de cette unité peut être réglé au moyen de la touche DIMMER d'une télécommande fournie avec un autre produit ESOTERIC.
- Même avec un réglage sur DIMMER>1 ou DIMMER>0, la luminosité normale (DIMMER>2) reste employée pour afficher les messages d'erreur et les menus de réglage.

## Affichage des versions de firmware

### F/W ver.

Appuyez sur la touche de réglage de paramètre + lorsque « F/W ver. » est affiché pour vérifier les versions des autres firmwares (micrologiciels internes).

### I/F \*\*\*\*

Firmware de l'interface

### NET \*\*\*\*

Firmware réseau

## Activation du réglage de volume

### VOLUME>\*\*\*

- Par défaut, le réglage est OFF.

### OFF (recommandé)

Cela désactive le réglage de volume de l'appli.

Les signaux numériques sont produits tels quels sans passer par le bloc de réglage du volume.

### ON

Cela active le réglage de volume de l'appli.

Comme le volume est ajusté dans le domaine numérique, les données DSD sont converties en données PCM.

- Les fichiers audio DSD à 11,2/22,5 MHz ne peuvent pas être lus.
- Si ce paramètre est activé (ON), **V** apparaît en haut à gauche de l'écran.

## Mode RAAT

- Cette fonction est prise en charge à partir de la v3.00 du firmware d'interface et du firmware NET 150.

Le mode RAAT, qui ne fonctionne qu'avec le RAAT (Roon Advanced Audio Transport), peut être sélectionné.

Afin de maximiser les performances de lecture de la musique avec Roon, le mode RAAT arrête les autres services pris en charge en mode normal, notamment OpenHome, Spotify Connect et Tidal Connect. Le fonctionnement n'est possible qu'à partir de l'appli Roon.

### Réglage du mode RAAT

#### 1 Sélectionnez Affichage des versions de firmware (F/W ver.) dans le mode de réglage, et affichez NET.

#### 2 Maintenez pressée la touche de réglage – de l'unité.

NETM > RAAT clignotera.

#### 3 Maintenez pressée la touche de réglage + de l'unité.

Cela sélectionne le mode RAAT et relance automatiquement le programme de lecteur réseau de l'unité. Après le redémarrage, la lecture de musique ne sera possible qu'avec Roon.

- Lorsque l'appareil fonctionne en mode RAAT, RAAT s'affiche sur l'écran de l'unité.
- En mode RAAT, cette unité ne sera pas reconnue par les applis de contrôle OpenHome, dont ESOTERIC Sound Stream, ou les applis Spotify ou Tidal.

### Retour au mode normal depuis le mode RAAT

#### 1 Sélectionnez Affichage des versions de firmware (F/W ver.) dans le mode de réglage, et affichez NET.

#### 2 Maintenez pressée la touche de réglage – de l'unité.

NETM > NORM clignotera.

#### 3 Maintenez pressée la touche de réglage + de l'unité.

Cela désactive le mode RAAT, réactive le mode normal et relance automatiquement le programme de lecteur réseau de l'unité. Après le redémarrage, OpenHome et les autres services seront utilisables.

# Guide de dépannage

Si vous rencontrez un problème avec cette unité, veuillez prendre un moment pour lire les informations suivantes avant de solliciter une réparation. Par ailleurs, cette unité n'est peut-être pas la cause du problème. Veuillez aussi vérifier le fonctionnement des unités connectées.

Si ce produit ne fonctionne toujours pas correctement, contactez le revendeur chez qui vous l'avez acheté.

## Généralités

### L'unité ne s'allume pas.

- ➔ Insérez la fiche d'alimentation dans une prise secteur.
- ➔ Vérifiez la connexion du cordon d'alimentation à cette unité.

### L'unité s'éteint automatiquement.

- ➔ C'est la fonction d'économie automatique d'énergie qui a entraîné l'extinction de l'unité.  
Appuyez sur la touche POWER de l'unité principale pour l'allumer.  
Changez si nécessaire le réglage de la fonction d'économie automatique d'énergie (page 30).

### L'unité ne répond pas quand on appuie sur les touches.

- ➔ Plusieurs pressions de touche sans interruption peuvent entraîner l'arrêt de la réponse de l'unité. Après avoir appuyé sur une touche, attendez que l'unité réponde.

### Il y a du bruit.

- ➔ Éloignez autant que possible l'unité des téléviseurs et autres appareils à fort champ magnétique.

### Aucun son ne sort des enceintes. Le son souffre de distorsion.

- ➔ Vérifiez les connexions avec l'ampli et les enceintes.
- ➔ Réglez le volume de l'amplificateur et des autres appareils.
- ➔ Aucun son ne sort quand la lecture est en pause. Utilisez l'appli pour reprendre la lecture ordinaire.

## Synchronisation d'horloge

### Le voyant CLOCK ne cesse pas de clignoter.

- ➔ Réglez le mode d'horloge sur OFF si vous ne l'utilisez pas.
- ➔ Un signal d'horloge sur lequel l'unité ne peut pas se synchroniser est peut-être reçu. Confirmez que la fréquence de l'horloge produite par le générateur d'horloge est bien de 10 MHz. De plus, vérifiez le branchement de la prise 10MHz IN CLOCK et les réglages des appareils connectés.

### Un bruit cyclique est produit.

- ➔ Si un bruit cyclique est émis quand l'unité est en mode d'horloge, c'est peut-être que l'appareil connecté n'est pas en mode d'horloge. Vérifiez le branchement de la prise 10MHz IN CLOCK et le réglage de mode d'horloge de l'appareil connecté.

### Un fichier audio ne peut pas être lu (correctement).

- ➔ Les serveurs de média (NAS) peuvent ne pas tous prendre en charge les mêmes types de fichiers. Vérifiez aussi les spécifications du serveur de média (NAS).

### Le son se coupe durant la lecture.

- ➔ Si les fichiers qui utilisent une compression avec perte, y compris les MP3, et les fichiers à 44,1 kHz et autres faibles débits binaires sont lus normalement, mais que le son s'interrompt pour des fichiers à 384 kHz et autres débits binaires élevés ainsi que pour des fichiers FLAC et autres utilisant une compression sans perte, le débit ETHERNET est peut-être insuffisant. Les données audio sont transmises depuis le NAS au travers du routeur. Pour cette raison, il est préférable d'utiliser des câbles de réseau local (LAN) pour connecter le NAS au routeur et le routeur à cette unité.

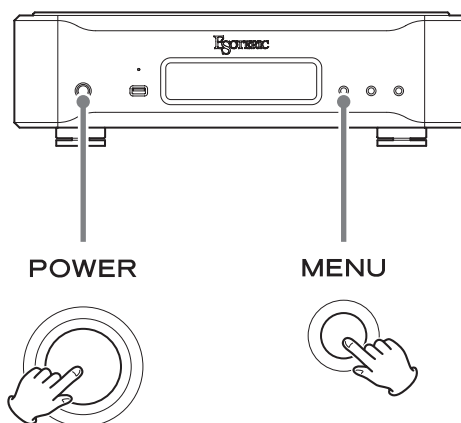
### La fréquence d'échantillonnage (DSD 22M) n'est pas indiquée.

- ➔ Mettez le firmware à jour en version 1.03 ou plus récente.

## Rappel des réglages d'usine

Les réglages sont conservés même après déconnexion du cordon d'alimentation.

Suivez ces procédures pour restaurer toutes les valeurs d'usine par défaut des paramètres et effacer la mémoire de l'unité.



Appuyez sur la touche POWER tout en maintenant la touche MENU pressée sur l'unité principale.

### Note concernant la condensation

Si on fait passer cette unité d'un environnement extérieur froid à une pièce chauffée, ou si par exemple le chauffage vient d'être allumé dans la pièce où elle se trouve, de la condensation peut se produire, entraînant un fonctionnement incorrect. Si cela se produit, laissez l'unité allumée et attendez 1–2 heures. Cela devrait permettre un retour de la lecture à la normale.



# Caractéristiques techniques

## Section réseau

Formats de fichier pris en charge

PCM sans perte..... FLAC, Apple Lossless (ALAC), WAV, AIFF, MQA  
DSD sans perte..... DSF, DSDIFF (DFF), DoP  
Audio compressé..... MP3, AAC (conteneur m4a)

Port ETHERNET ..... 1 (1000BASE-T)

Ports pour supports USB..... 2

USB 2.0 ou supérieur recommandé

Systèmes de fichiers pris en charge..... FAT32, NTFS  
Partition unique

Courant maximal d'alimentation..... 0,5 A

Fréquences d'échantillonnage prises en charge

PCM..... 44,1–384 kHz, 16/24/32 bits  
(En 32 bits, seuls les fichiers au format nombre entier peuvent être lus.)

DSD..... 2,8 MHz, 5,6 MHz, 11,2 MHz, 22.5 MHz

## Sorties numériques

Port USB (norme USB 2.0)..... 1

Prise XLR ..... 1

Niveau de sortie..... 3 Vc-c (sous 110  $\Omega$ )

Prise RCA ..... 1

Niveau de sortie..... 0,5 Vc-c (sous 75  $\Omega$ )

- Les limites maximales de sortie des prises XLR et RCA sont les suivantes.

PCM ..... 44,1–192 kHz, 16/24 bits

DSD..... 2,8 MHz (DoP)

## Entrée d'horloge

Prise BNC..... 1

Impédance d'entrée..... 50  $\Omega$

Fréquences recevables..... 10 MHz ( $\pm 10$  ppm)

Niveau d'entrée

Onde rectangulaire..... équivalent aux niveaux TTL

Onde sinusoïdale..... 0,5 à 1,0 Vrms

## Générales

Alimentation électrique

Modèle Europe..... CA 220–240 V, 50/60 Hz

Modèle USA/Canada..... CA 120 V, 60 Hz

Modèle Corée..... CA 220 V, 60 Hz

Consommation électrique..... 31 W

Dimensions externes (L x H x P, saillies incluses)..... 445 x 131 x 360 mm

Poids..... 17 kg

Température de fonctionnement..... +5 °C à +35 °C

Hygrométrie de fonctionnement..... 5 % à 85 % (sans condensation)

Température de stockage..... –20°C à +55°C

## Accessoires fournis

Cordon d'alimentation x 1

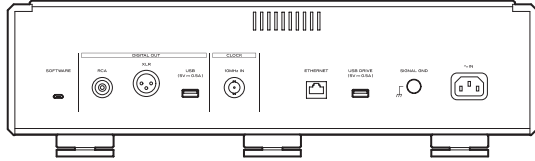
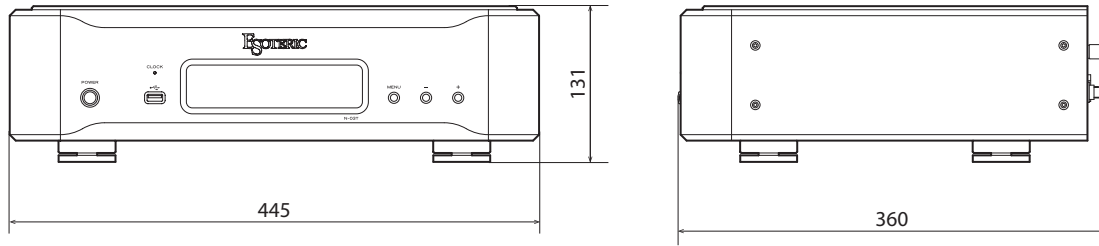
Patins en feutre x 3

Mode d'emploi (ce document) x 1

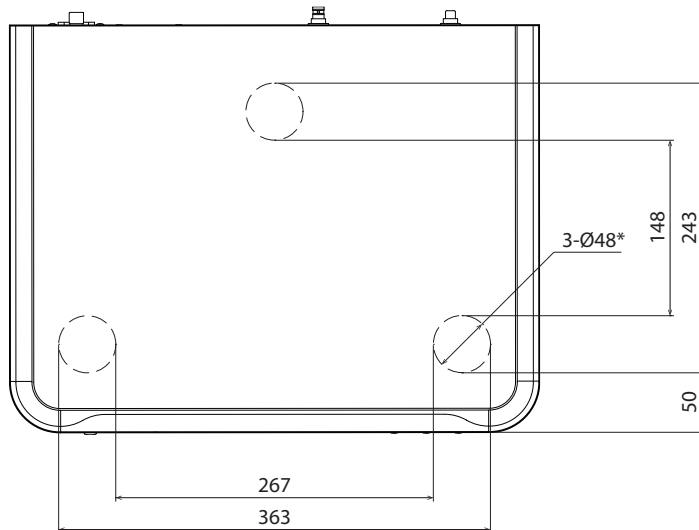
Carte de garantie x 1

- Les illustrations de ce mode d'emploi peuvent légèrement différer des modèles de production.
- Le poids et les dimensions sont des valeurs approchées.
- Conception et caractéristiques techniques sont sujettes à modifications sans préavis.

# Schémas avec cotes



## Schéma de positionnement des pieds



\*Pieds de 48 mm de diamètre x 3

Les dimensions sont en millimètres (mm)

# INSTRUCCIONES IMPORTANTES DE SEGURIDAD



El símbolo del rayo acabado en flecha dentro de un triángulo equilátero alerta al usuario de la presencia de un "voltaje peligroso" sin aislar dentro de la carcasa del producto que puede ser de magnitud suficiente como para constituir riesgo de descarga eléctrica para las personas.



El signo de exclamación dentro de un triángulo equilátero alerta al usuario de la presencia de importantes instrucciones de funcionamiento y mantenimiento en la literatura que acompaña al aparato.

**AVISO: PARA EVITAR RIESGO DE INCENDIO O DESCARGAS ELÉCTRICAS, NO EXPONGA ESTE APARATO A LA LLUVIA NI A LA HUMEDAD.**

## PRECAUCIÓN

- NO quite las carcasas externas ni deje al aire la electrónica. ¡EN EL INTERIOR NO HAY PIEZAS QUE EL USUARIO PUEDA MANIPULAR!
- SI EXPERIMENTA PROBLEMAS CON ESTE PRODUCTO, PÓNGASE EN CONTACTO CON EL ESTABLECIMIENTO DONDE ADQUIRIÓ LA UNIDAD PARA SOLICITAR SERVICIO TÉCNICO. NO UTILICE EL APARATO HASTA QUE HAYA SIDO REPARADO.
- EL USO DE CONTROLES, AJUSTES O PROCEDIMIENTOS QUE NO SEAN LOS ESPECIFICADOS EN ESTE MANUAL PUEDE CAUSAR EXPOSICIÓN A RADIACIONES PELIGROSAS.

- 1) Lea estas instrucciones.
- 2) Conserve estas instrucciones.
- 3) Cumpla con lo indicado en los avisos.
- 4) Siga todas las instrucciones.
- 5) No utilice este aparato cerca del agua.
- 6) Límpielo solo con un trapo seco.
- 7) No bloquee ninguna de las ranuras de ventilación. Instale este aparato de acuerdo con las instrucciones del fabricante.
- 8) No instale este aparato cerca de fuentes de calor como radiadores, calentadores, hornos u otros aparatos (incluyendo amplificadores) que produzcan calor.
- 9) No elimine el sistema de seguridad que supone el enchufe polarizado o con toma de tierra. Un enchufe polarizado tiene dos bornes, uno más ancho que el otro. Uno con toma de tierra tiene dos bornes iguales y una tercera lámina para la conexión a tierra. El borne ancho o la lámina se incluyen para su seguridad. Si el enchufe que venga con la unidad no encaja en su salida de corriente, haga que un electricista cambie su salida anticuada.

- 10) Evite que el cable de corriente quede de forma que pueda ser pisado o quedar retorcido o aplastado, especialmente en los enchufes, receptáculos o en el punto en el que salen del aparato.
- 11) Use solo accesorios/complementos especificados por el fabricante.



- 12) Utilice este aparato solo con un soporte, trípode o bastidor especificado por el fabricante o que se venda con el propio aparato. Cuando utilice un bastidor con ruedas, tenga cuidado al mover la combinación de aparato/bastidor para evitar que vuelque y puedan producirse daños.
- 13) Desconecte este aparato de la corriente durante las tormentas eléctricas o cuando no lo vaya a usar durante un periodo de tiempo largo.
- 14) Dirija cualquier posible reparación solo al servicio técnico oficial. Este aparato deberá ser reparado si se ha dañado de alguna forma, como por ejemplo si el cable de corriente o el enchufe están rotos, si ha sido derramado algún líquido sobre la unidad o algún objeto ha sido introducido en ella, si ha quedado expuesto a la lluvia o la humedad, si no funciona normalmente o si ha caído al suelo en algún momento.

- Este aparato libera corriente nominal no válida para el funcionamiento a través de la toma de corriente, aún cuando el interruptor de encendido y activación (POWER o STANDBY/ON) no esté en la posición de encendido (ON).
- El enchufe que se conecta a la red es el dispositivo de desconexión, por lo que deberá permanecer siempre en perfecto estado de uso.
- Deberá llevar cuidado si utiliza auriculares con este producto, ya que una excesiva presión sonora (volumen) procedente de los mismos puede causar pérdidas de audición.

## AVISO

Los productos con construcción de Clase **I** están equipados con un cable de alimentación que tiene conexión de tierra. El cable de estos productos deberá conectarse a una toma de corriente que tenga conexión de protección de tierra.

**EN EE. UU./CANADÁ, UTILICE SOLO ALIMENTACIÓN CON CORRIENTE DE 120 V.**

## PRECAUCIÓN

- No exponga este aparato a salpicaduras ni goteras.
- No coloque objetos que contengan líquidos, como por ejemplo jarrones, sobre el aparato.
- No instale este aparato en lugares cerrados tales como estanterías o similares.
- Este aparato debe situarse lo suficientemente cerca de una toma de electricidad como para poder alcanzar fácilmente el cable de corriente en cualquier momento.
- Si el producto utiliza pilas (esto incluye las pilas instaladas y los "packs" de pilas), se evitará su exposición directa al sol, al fuego o a cualquier otra fuente de calor excesivo.
- **PRECAUCIÓN** con los productos que emplean baterías de litio reemplazables: existe peligro de explosión si la batería se reemplaza por otra de tipo incorrecto. Reemplácela sólo por otra igual o de tipo equivalente.

## Declaración de conformidad

Número de modelo: N-03T

Marca comercial: ESOTERIC

Parte responsable: 11 Trading Company, LLC

Dirección: 3502 Woodview Trace #200 Indianapolis, IN 46268 U.S.A.

URL: <https://11tradingcompany.com/contact-us/>

Este dispositivo cumple con el apartado 15 de las Normas de la FCC.

Su funcionamiento está sujeto a las dos siguientes condiciones:

- 1) Este dispositivo no puede causar interferencias perjudiciales
- 2) Este dispositivo debe aceptar cualquier interferencia recibida, incluidas interferencias que puedan causar anomalías de funcionamiento.

### Información

Se ha comprobado que este equipo cumple con los límites establecidos para los dispositivos digitales de Clase B, de acuerdo con el apartado 15 de las Normas de la FCC. Estos límites están diseñados para proporcionar una protección razonable contra interferencias perjudiciales en instalaciones residenciales. Este equipo genera, utiliza y puede irradiar energía de radiofrecuencia y, si no se instala y se utiliza de acuerdo con las instrucciones, puede causar interferencias perjudiciales en las comunicaciones por radio. Sin embargo, no se puede garantizar que dichas interferencias no se produzcan en instalaciones particulares. Si este equipo causa interferencias perjudiciales en la recepción de radio o televisión, que se comprueban apagando y encendiendo el equipo, se recomienda al usuario que intente corregirla mediante una o varias de las siguientes medidas:

- Reoriente o recolocque el equipo y/o la antena receptora.
- Aumente la separación entre el equipo y el receptor.
- Conecte el equipo a una toma de electricidad situada en un circuito eléctrico diferente al del receptor.
- Consulte al distribuidor o solicite ayuda a un técnico de radio/TV con experiencia.

### PRECAUCIÓN

Cualquier cambio o modificación efectuada en este equipo que no haya sido expresamente aprobada por la parte responsable del cumplimiento de los requisitos exigidos podría invalidar el derecho del usuario a utilizar el equipo.



## Para consumidores europeos

### Deshacerse de aparatos eléctricos, electrónicos, pilas/baterías y acumuladores

- a) Todos los aparatos eléctricos y electrónicos, y pilas/baterías y acumuladores gastados, deben ser eliminados separados del resto de basura común y únicamente en los "puntos limpios" o bajo los procedimientos especificados por el gobierno o autoridades municipales locales.
- b) Con la eliminación correcta de los equipos eléctricos y electrónicos, y de pilas/baterías y acumuladores gastados, estará ayudando a conservar recursos muy valiosos y a evitar los posibles efectos negativos en la salud humana y en el medio ambiente.
- c) La eliminación incorrecta de los equipos eléctricos y electrónicos, y pilas/baterías y acumuladores, puede producir efectos muy dañinos en el medio ambiente y en la salud humana a causa de las sustancias peligrosas que pueden encontrarse en estos equipos.

- d) El símbolo de Eliminación de Aparatos Eléctricos y Electrónicos (WEEE en inglés), identificado por cubos de basura con ruedas tachados, indican que los equipos eléctricos y electrónicos, y las pilas/baterías y acumuladores, deben ser eliminados de forma totalmente independiente con respecto a la basura doméstica.



Si una pila/batería o un acumulador contienen más cantidad de los valores especificados de plomo (Pb), mercurio (Hg), y/o cadmio (Cd) según está definido en la Directiva relativa a las pilas (2006/66/CE, 2013/56/UE), entonces los símbolos químicos correspondientes a estos elementos estarán indicados debajo del símbolo WEEE.



- e) Existen sistemas para la eliminación y recogida a disposición del usuario final. Si necesita más información sobre cómo deshacerse de aparatos eléctricos y electrónicos antiguos, así como de pilas/baterías y acumuladores, póngase en contacto con su ayuntamiento, con la correspondiente empresa del servicio de recogida de residuos o con el establecimiento donde adquirió ese aparato.

## Modelo para Europa



Este producto cumple con las exigencias de las directivas europeas y con los reglamentos de la Comisión Europea.

Gracias por adquirir este producto ESOTERIC.

Lea este manual atentamente para obtener el mejor rendimiento de este producto. Después de leerlo, guárdelo en un lugar seguro, junto con la tarjeta de la garantía, para futuras consultas.

El Manual del usuario puede descargarse desde el sitio web de ESOTERIC (<https://www.esoteric.jp/en/>).

Para utilizar esta unidad, también debe usar una tablet o smartphone que tenga instalada la app específica (gratuita) y conectar dicho dispositivo a la misma red que esta unidad.

## ATENCIÓN

Esta unidad solamente emite señales digitales por el tipo de terminal seleccionado.

Ajuste la salida en "USB", "XLR" o "RCA" antes de utilizar la unidad.

Consulte "Modo de configuración" y "Ajuste de terminal de salida" en la página 45.



MQA and the Sound Wave Device are registered trade marks of MQA Limited.© 2016



Being Roon Ready means that ESOTERIC uses Roon streaming technology, for an incredible user interface, simple setup, rock-solid daily reliability, and the highest levels of audio performance, without compromise.

"DSD" is a registered trademark.

Apple is a trademark of Apple Inc., registered in the U.S. and other countries.

App Store is a service mark of Apple Inc.

IOS is a trademark or registered trademark of Cisco in the U.S. and other countries and is used under license.

Android is a trademark of Google Inc.

Google Play is a trademark of Google Inc.

Wi-Fi is a trademark or registered trademark of Wi-Fi Alliance.

ESOTERIC is a trademark of TEAC CORPORATION, registered in the U.S. and other countries.

Los nombres de otras compañías, nombres de productos y logos que aparecen en este documento son marcas comerciales o registradas de sus respectivos propietarios.

La información sobre derechos de autor y licencias relacionadas con software de código abierto se proporciona en el documento aparte "Important Notice Regarding Software" (Aviso importante relativo al software).

INSTRUCCIONES IMPORTANTES DE SEGURIDAD .....	35
Antes de su utilización .....	38
Qué hay en la caja .....	38
Nota sobre las patas puntiformes .....	38
Mantenimiento .....	38
Precauciones de uso .....	38
Conexiones de red .....	39
Realizar las conexiones .....	40
Nombres y funciones de las partes .....	42
Uso de las funciones de transporte de red .....	43
MQA (Master Quality Authenticated) .....	44
Funcionamiento básico .....	44
Encendido y apagado de la unidad .....	44
Modo de configuración .....	45
Significado de los apartados del modo de configuración .....	45
Ajuste del modo de reloj .....	45
Ajuste de terminal de salida .....	45
Ajuste de salida DSD .....	46
Ajuste de salida MQA .....	46
Ajuste de la pantalla de red .....	46
Ajuste del oscurecimiento automático de pantalla .....	46
Ajuste del ahorro de energía automático .....	46
Ajuste del LED del puerto ETHERNET .....	46
Ajuste del atenuador de pantalla .....	47
Mostrar en pantalla las versiones de firmware .....	47
Configuración del ajuste de volumen .....	47
Modo RAAT .....	47
Solución de problemas .....	48
General .....	48
Sincronización de reloj .....	48
Restablecer los ajustes de fábrica .....	48
Especificaciones .....	49
Dibujos con las dimensiones .....	50

### Qué hay en la caja

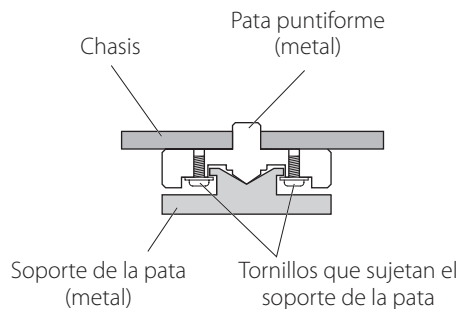
Compruebe que la caja incluye todos los accesorios suministrados que se muestran a continuación. Por favor, póngase en contacto con el establecimiento donde adquirió esta unidad si falta cualquiera de estos accesorios o si alguno ha sufrido desperfectos durante el transporte.

- Cable de corriente × 1
- Almohadillas de fieltro × 3
- Manual del usuario (este documento) × 1
- Tarjeta de garantía × 1

### Nota sobre las patas puntiformes

Esta unidad tiene unas patas puntiformes metálicas de alta precisión que están firmemente sujetas a la placa inferior.

Los soportes de estas patas están sueltos, pero cuando se coloca la unidad sobre una superficie, son estas patas puntiformes las que soportan la unidad dispersando de manera efectiva las vibraciones.



- Coloque en la parte inferior de los soportes de las patas las almohadillas de fieltro incluidas para evitar rayar la superficie sobre la que se ponga la unidad.

### Mantenimiento

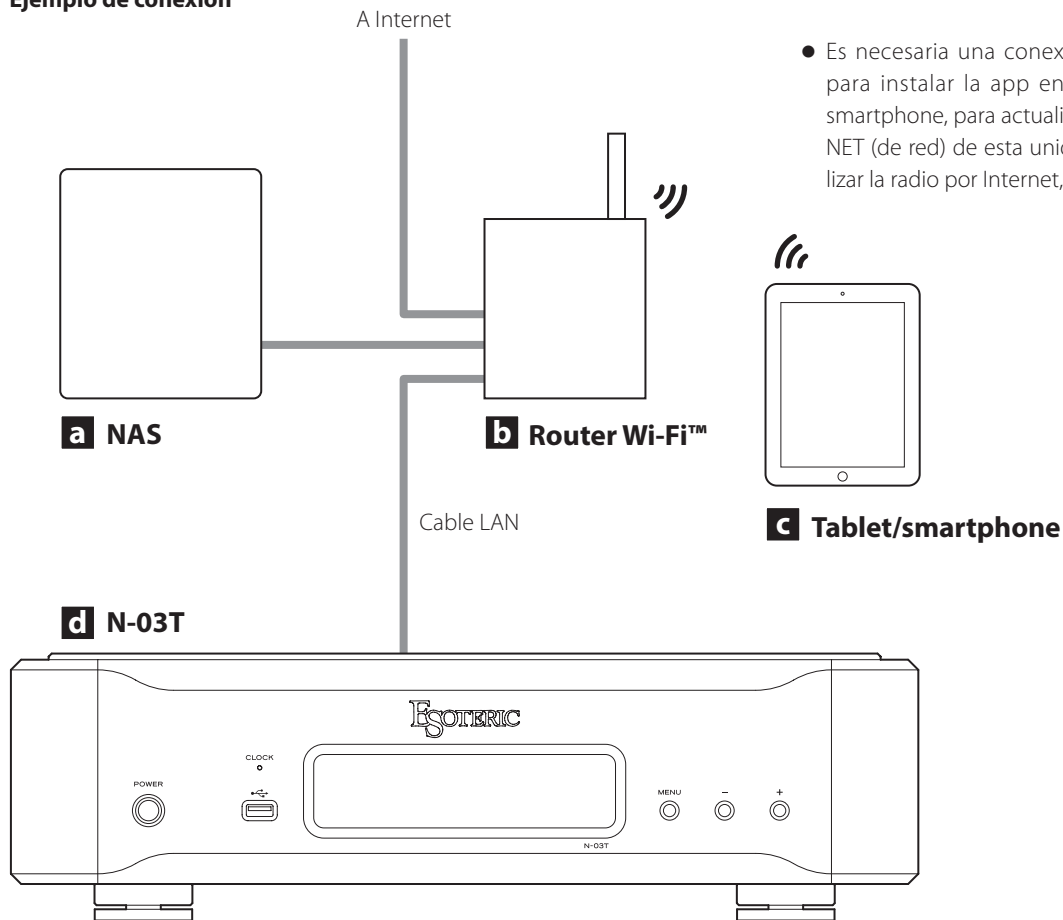
Utilice un paño suave y seco para limpiar la superficie de la unidad. Para manchas difíciles, use un paño húmedo que haya sido bien escurrido para eliminar el exceso de líquido.

- Nunca pulverice líquido directamente sobre esta unidad.
- No utilice gamuzas ni paños impregnados con productos químicos, ni disolvente u otras sustancias químicas, ya que pueden dañar la superficie de la unidad.
- Evite que materiales de goma o de plástico estén en contacto con la unidad durante largos períodos de tiempo, ya que pueden dañar la carcasa.

**⚠ Por seguridad, desenchufe el cable de corriente de la toma de electricidad antes de limpiar la unidad.**

- No coloque nada encima de esta unidad.
- No instale esta unidad donde pueda calentarse. Esto incluye lugares que estén expuestos a la luz solar directa o cercanos a un radiador, calefactor, estufa o cualquier otro aparato de calefacción. Tampoco coloque esta unidad encima de un amplificador u otro equipo que genere calor. Si lo hace, la unidad podría decolorarse o deformarse.
- Para permitir una buena disipación del calor, deje al menos 20 cm entre esta unidad y las paredes u otros componentes del equipo cuando la instale. Si la coloca en un rack, tome precauciones para evitar un sobrecalentamiento, dejando al menos 5 cm libres por encima de la unidad y 10 cm por detrás. Si no deja estos márgenes de seguridad, el calor podría acumularse en el interior y provocar un incendio.
- Coloque la unidad en un lugar estable.
- No mueva la unidad durante su utilización.
- Mueva la unidad con cuidado para evitar lesiones, ya que pesa bastante. Si es necesario, pida ayuda a alguien para moverla.
- El voltaje suministrado a la unidad deberá ser el mismo que está impreso en el panel posterior. Si tiene dudas al respecto, consulte a un electricista.
- No abra la carcasa de la unidad porque podría causar daños en los circuitos o una descarga eléctrica. En caso de que se introduzca un objeto extraño en la unidad, contacte con su distribuidor.
- Cuando desenchufe el cable de corriente de la toma de electricidad, tire siempre directamente del conector, nunca tire del cable.

## Ejemplo de conexión



- Es necesaria una conexión a Internet para instalar la app en una tablet o smartphone, para actualizar el firmware NET (de red) de esta unidad o para utilizar la radio por Internet, por ejemplo.

### **a** NAS (dispositivo de almacenamiento conectado en red)

Se utiliza para almacenar los archivos de audio. Es necesario que funcione como servidor UPnP para poder utilizarlo como servidor multimedia.

### **b** Router Wi-Fi™

Use una conexión Wi-Fi para conectar la tablet o el smartphone a esta unidad y al NAS.

### **c** Tablet/smartphone

Instale la app para controlar esta unidad.

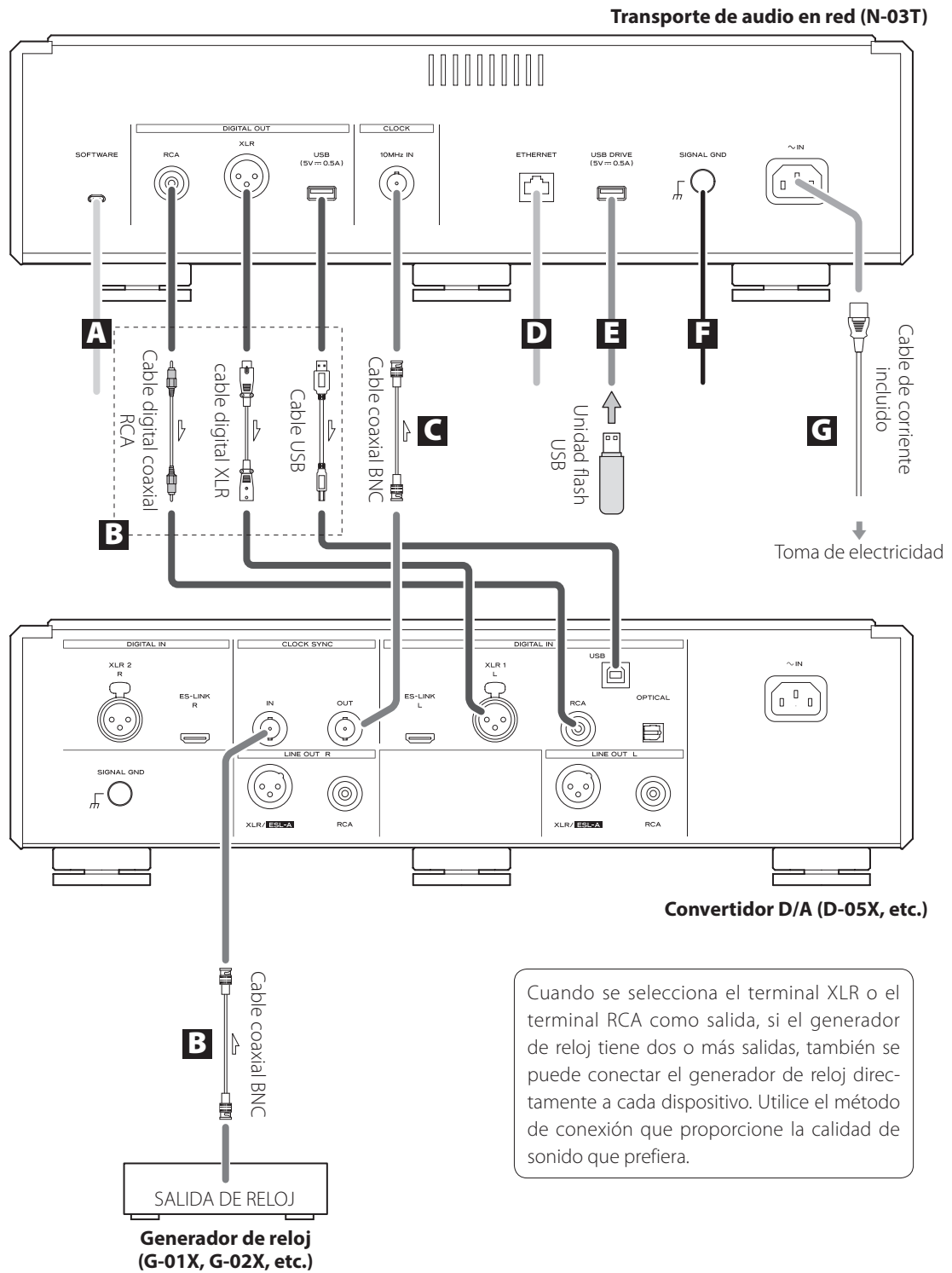
### **d** N-03T

Esta unidad.

# Realizar las conexiones

## ⚠ Precauciones al realizar la conexiones

- Termine todas las conexiones antes de enchufar el cable de corriente a una toma de electricidad.
- Lea los manuales de instrucciones de todos los dispositivos que se van a conectar y siga sus indicaciones.





## **A** Puerto de mantenimiento (SOFTWARE)

Se utiliza para mantenimiento. No conecte nada a este puerto a menos que reciba instrucciones para hacerlo por parte de nuestro servicio técnico.

## **B** Terminales de salida de audio digital (DIGITAL OUT)

Por estos terminales sale el audio digital. Conéctelos a los terminales de entrada digital de un convertidor D/A (como por ejemplo un D-05X), un reproductor de SACD u otro dispositivo.

**Utilice cables de los disponibles en establecimientos comerciales para las siguientes conexiones:**

USB: cable USB  
XLR: cable digital XLR  
RCA: cable digital coaxial RCA

- Utilice uno de los cables anteriormente mencionados para conectar la unidad a un dispositivo con entrada digital.

**Cambie los ajustes de salida en función del terminal que esté siendo utilizado (página 45).**

## **C** Terminal de entrada de reloj de 10 MHz (10MHz IN CLOCK)

Cuando se emite señal de salida desde el terminal XLR o el terminal RCA, se puede introducir una señal de sincronización (reloj) de 10 MHz (página 45).

Cuando utilice un generador de reloj maestro, conecte su terminal de salida de reloj al terminal 10MHz IN CLOCK de esta unidad.

**Utilice un cable coaxial BNC de los disponibles en establecimientos comerciales para la conexión.**

## **D** Puerto ETHERNET

Utilice un cable LAN para conectar esta unidad a una red (página 39).

**Utilice un cable LAN de los disponibles en establecimientos comerciales para la conexión.**

## **E** Puerto para unidades USB (USB DRIVE)

Conecte aquí unidades flash USB que contengan archivos de audio.

- El suministro de alimentación máximo es 0,5 A.
- Este puerto solo puede utilizarse para reproducir archivos de música contenidos en una unidad flash USB a él conectada.

## **F** Terminal de tierra SIGNAL GND

Conectar este terminal de tierra al terminal de tierra de un convertidor D/A, un amplificador u otro dispositivo podría mejorar la calidad del audio.

- Este terminal no es una toma de tierra de seguridad eléctrica.

## **G** Entrada para el cable de corriente (~IN)

Conecte en esta entrada el cable de corriente incluido. Termine todas las conexiones antes de enchufar el cable de corriente a una toma de electricidad.



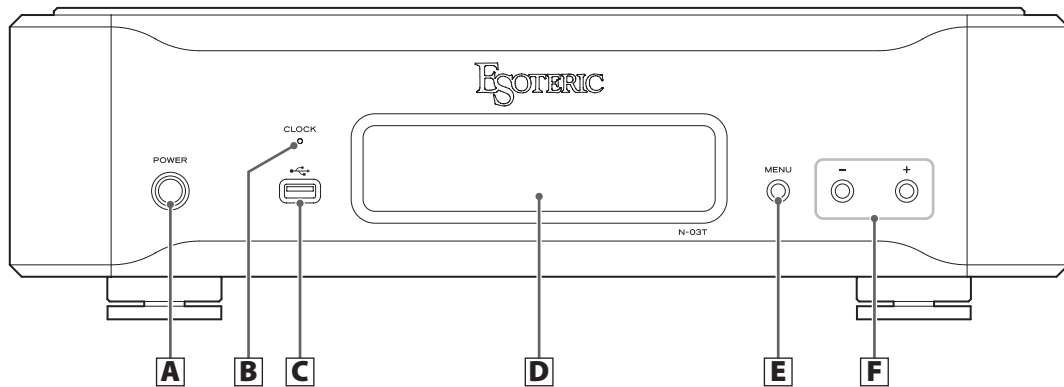
**Utilice solamente un cable de corriente ESOTERIC original. El uso de otros cables de corriente puede ser causa de incendio o descargas eléctricas.**



**Desenchufe el cable de corriente de la toma de electricidad si no va a utilizar la unidad durante un largo periodo de tiempo.**

**Utilice un cable coaxial BNC con una impedancia de 50  $\Omega$  o 75  $\Omega$ .**

# Nombres y funciones de las partes



## **A** Botón POWER

Se utiliza para encender y apagar la unidad.  
Cuando la unidad está encendida, el anillo que rodea este botón se ilumina en azul.  
Cuando la unidad está apagada, el anillo no se ilumina.

Cuando no utilice la unidad, apáguela.

## **B** Indicador CLOCK

Muestra el estado de la sincronización de reloj.  
Cuando se configura el ajuste de sincronización de reloj en "IN", este indicador comienza a parpadear. Cuando se detecta una señal de reloj y se produce la sincronización, deja de parpadear y permanece iluminado.

- Cuando el ajuste de terminal de salida es USB, permanece apagado.

## **C** Puerto para unidades USB (🔌)

Conecte aquí unidades flash USB que contengan archivos de audio.

- Este puerto solo puede utilizarse para reproducir archivos de música contenidos en una unidad flash USB a él conectada.

## **D** Pantalla

Muestra el tiempo de reproducción, la frecuencia de muestreo y otra información.

## **E** Botón MENU

Se utiliza para acceder al modo de configuración (página 45).

## **F** Botones de ajustes de configuración (+/-)

Se utilizan para cambiar los parámetros en el modo de configuración.

- Con esta unidad no se puede cambiar el volumen.

### **Botón +**

Este botón cambia entre mostrar en pantalla el tiempo de reproducción y la frecuencia de muestreo.

# Uso de las funciones de transporte de red

Las funciones de transporte de red de esta unidad son compatibles con OpenHome, Roon Ready, Spotify Connect, Tidal Connect y otros servicios. Se puede reproducir música utilizando apps que sean compatibles con estos servicios.

- La app ESOTERIC Sound Stream, que es compatible con iOS y Android, puede utilizarse para control de OpenHome. Busque "ESOTERIC Sound Stream" en el App Store o en Google Play Store.



- Consulte el Manual del usuario de ESOTERIC Sound Stream ([https://www.esoteric.jp/en/product/sound\\_stream/download](https://www.esoteric.jp/en/product/sound_stream/download)) para preparar listas de reproducción y reproducir archivos de audio.
- Para utilizar el puerto ETHERNET o los puertos para unidades USB (USB DRIVE y ↵), también deberá usar una tablet o smartphone que tengan instalada la app específica (gratuita) y conectar dicho dispositivo a la misma red que esta unidad.
- El firmware del módulo de red se actualiza a través del ESOTERIC Sound Stream. Le recomendamos que periódicamente seleccione esta unidad en ESOTERIC Sound Stream y la actualice con el firmware más reciente.  
Si hay alguna actualización de firmware disponible, aparecerá una ventana emergente con la recomendación.

## OpenHome <http://openhome.org/>

Los datos de las listas de reproducción se almacenan en esta unidad. Las canciones almacenadas en un NAS o en una unidad flash USB conectados a esta unidad se pueden añadir a las listas de reproducción y reproducirse utilizando ESOTERIC Sound Stream u otra app que sea compatible con el control de OpenHome. Si utiliza ESOTERIC Sound Stream, también puede añadir a las listas de reproducción las canciones que desee de Tidal, Qobuz y otros servicios de transmisión en "streaming". Puesto que las listas de reproducción se almacenan en el dispositivo de reproducción cuando se utiliza OpenHome, después de que se haya añadido música a una lista de reproducción, la lista de reproducción puede reproducirse en orden incluso después de haber salido de la app de control.

## Roon Ready <https://roonlabs.com/>

Esta unidad es compatible con la reproducción de música utilizando la app de gestión y reproducción de música Roon lanzada por Roon Labs. Un sistema Roon se compone de tres elementos: control, núcleo y salida. Esta unidad cumple la función de una salida de audio compatible con RAAT (Roon Advanced Audio Transport), que es un formato de transmisión de audio de alta calidad exclusivo de Roon. Esta unidad permite la selección del modo RAAT, lo que posibilita el máximo rendimiento al reproducir audio con Roon. Este modo está diseñado para la reproducción de música utilizando Roon y detiene otros servicios admitidos en modo normal, incluidos Open Home, Spotify Connect y Tidal Connect.

- Consulte la página 47 para obtener información sobre los procedimientos de configuración del modo RAAT.
- En modo RAAT, el control solo es posible desde la app Roon.

## Spotify Connect <https://www.spotify.com/>

## Tidal Connect <https://tidal.com/>

Se puede seleccionar esta unidad como salida de las apps específicas de los servicios de transmisión de música en "streaming" Spotify y Tidal. El uso de las apps optimizadas para estos servicios en un smartphone u otro dispositivo permite reproducir música en esta unidad con operaciones fáciles, incluida la selección de música.

### NOTA

Consulte las apps de los respectivos servicios para obtener información detallada sobre los procedimientos de funcionamiento.

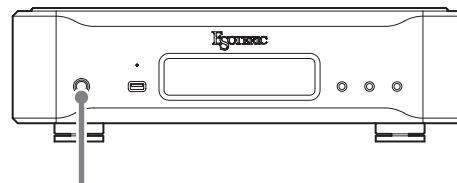
MQA es una galardonada tecnología británica que proporciona el sonido de la grabación máster original. El archivo MQA máster está totalmente certificado y es lo suficientemente pequeño como para transmitirse por secuencias (streaming) o descargarse.

Encontrará más información en [mqa.co.uk](http://mqa.co.uk).

El N-03T incluye tecnología MQA, que permite reproducir archivos y transmisiones por "streaming" de audio MQA con el sonido de la grabación máster original.

"MQA" o "MQA." indica que el producto está decodificando y reproduciendo una transmisión por "streaming" o un archivo MQA, y denota la procedencia para garantizar que el sonido es idéntico al del material de origen. "MQA." indica que está reproduciendo un archivo MQA Studio que, o bien ha sido aprobado en el estudio por el artista/productor, o bien ha sido verificado por el propietario de los derechos.

### Encendido y apagado de la unidad



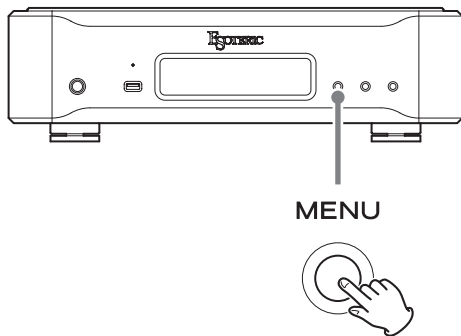
POWER



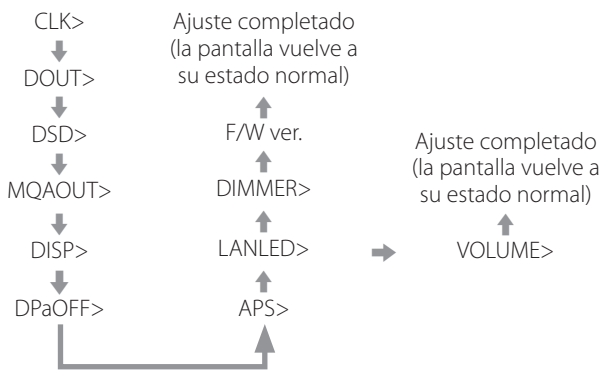
Pulse el botón POWER para encender la unidad si está apagada o para apagarla si está encendida. Cuando la unidad está encendida, el anillo que rodea este botón se ilumina en azul y se ilumina la pantalla de la unidad.

- Una vez encendida la unidad, utilice la app para controlar la reproducción.
- Cuando utilice esta unidad, encienda el convertidor D/A, el amplificador y los demás dispositivos que estén conectados a ella. Al hacerlo, encienda el amplificador en último lugar.

- 1** Pulse el botón MENU repetidamente para seleccionar el apartado de configuración que desee cambiar.

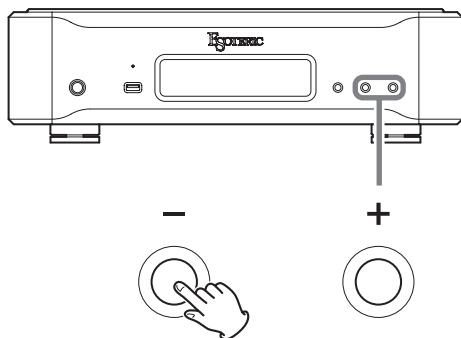


Cada vez que pulse el botón MENU, el apartado que aparece en la pantalla cambiará como sigue:



- Para abrir VOLUME>, pulse y mantenga pulsado el botón de ajuste de configuración – cuando se muestre LANDED> en la pantalla. Después de realizar este ajuste, pulse el botón MENU para cerrar los ajustes de configuración.
- Si no hace nada durante diez segundos o más, el modo de configuración se cancelará y se reanudará la pantalla normal.

- 2** Use los botones de ajustes de configuración (+/-) para cambiar los ajustes.



Para más información sobre los ajustes, consulte las páginas 45–47.

- Si no hace nada durante diez segundos o más, el modo de configuración se cancelará y se reanudará la pantalla normal.
- Los ajustes se conservan aunque se desconecte la unidad de la corriente.

## Significado de los apartados del modo de configuración

### CLK>\*\*\*

Ajuste del modo de reloj

### DOUT>\*\*\*

Ajuste de terminal de salida

### DSD>\*\*\*

Ajuste de salida DSD

### MQAOUT>\*\*\*

Ajuste de salida MQA

### DISP>\*\*\*

Ajuste de la pantalla de red

### DPaOFF>\*\*\*

Ajuste del oscurecimiento automático de pantalla

### APS>\*\*\*

Ajuste del ahorro de energía automático

### LANLED>\*\*\*

Ajuste del LED del puerto ETHERNET

### DIMMER>\*\*\*

Ajuste del atenuador de pantalla

### F/W ver.

Mostrar en pantalla las versiones de firmware

### VOLUME>\*\*\*

Configuración del ajuste de volumen

## Ajuste del modo de reloj

### CLK>\*\*\*

- Solo se activa cuando el ajuste de terminal de salida es XLR o RCA.
- Cuando el ajuste de terminal de salida es USB, el convertidor D/A conectado controla el reloj, por lo que no es necesario suministrar una señal de reloj externo a esta unidad.
- El ajuste por defecto es "OFF".

### OFF

El oscilador de cristal interno opera como reloj maestro.

### IN

El oscilador de cristal interno se sincroniza a un reloj externo.

## Ajuste de terminal de salida

### DOUT>\*\*\*

- El ajuste por defecto es "USB".

### USB

La señal digital sale por el puerto USB.

### XLR

La señal digital sale por el terminal XLR.

### RCA

La señal digital sale por el terminal RCA.

## Ajuste de salida DSD

### DSD>\*\*\*

- Solo se activa cuando el ajuste de terminal de salida es XLR o RCA.
- El ajuste por defecto es "DoP".

Ajusta el formato de salida de los datos DSD cuando la unidad se conecta a un convertidor D/A mediante el terminal XLR o RCA.

### DoP

Los datos DSD se emiten por la salida en formato DoP.

- Si el convertidor D/A conectado es compatible con DoP, seleccione el ajuste DoP para habilitar la reproducción en formato DSD.

### PCM

Los datos DSD se convierten a PCM y se emiten por la salida.

- Si el convertidor D/A no es compatible con DoP, seleccione el ajuste PCM para habilitar la conversión a formato PCM para la reproducción.

## Ajuste de salida MQA

### MQAOUT>\*\*\*

- El ajuste por defecto es "ON".

### ON

Esta unidad decodifica los archivos MQA y los envía a la salida.

### PTH

Los archivos MQA pasan a través de esta unidad y se envían a la salida tal cual son.

- Seleccione el ajuste PTH cuando conecte la unidad a un convertidor D/A compatible con decodificación MQA.

### OFF

Los archivos MQA son enviados a la salida como PCM.

## Ajuste de la pantalla de red

### DISP>\*\*\*

- El ajuste por defecto es "Fs".

### Fs

Muestra la frecuencia de muestreo que se está introduciendo. Si no hay ninguna señal entrante o la unidad no se ha acoplado a la señal de entrada, no se mostrará la frecuencia de muestreo.

### TIME

Muestra el tiempo transcurrido de la canción que se está reproduciendo.

## Ajuste del oscurecimiento automático de pantalla

### DPaOFF>\*\*\*

- El ajuste por defecto es "ON".

Se puede configurar la pantalla para que se oscurezca automáticamente después de que haya transcurrido un tiempo determinado.

### ON

La pantalla se oscurecerá automáticamente si la información que se muestra en ella no cambia durante 10 minutos.

### OFF

La pantalla no se oscurecerá automáticamente, pero si nada cambia durante 10 minutos, la intensidad de brillo disminuirá al nivel de DIMMER>1 para reducir el desgaste de la pantalla a largo plazo.

- Le recomendamos que ajuste la función de oscurecimiento automático de pantalla en "ON". Si la pantalla se deja mostrando lo mismo durante mucho tiempo, pueden surgir irregularidades en el brillo y otros problemas.

## Ajuste del ahorro de energía automático

### APS>\*\*\*

- El ajuste por defecto es "30m".

La unidad se apagará automáticamente si la reproducción permanece parada durante la cantidad de tiempo seleccionada.

### 30m

30 minutos

### 60m

60 minutos

### 90m

90 minutos

### 120m

120 minutos

### OFF

La función de ahorro de energía automático está desactivada.

## Ajuste del LED del puerto ETHERNET

### LANLED>\*\*\*

- El ajuste por defecto es "ON".
- Aunque se ajuste en "OFF", el LED parpadeará inmediatamente después de conectar un cable LAN y mientras la unidad se está inicializando después de ser encendida (mientras en pantalla se muestra "WAIT...").

### ON

Activa la iluminación y el parpadeo del LED del puerto ETHERNET.

### OFF

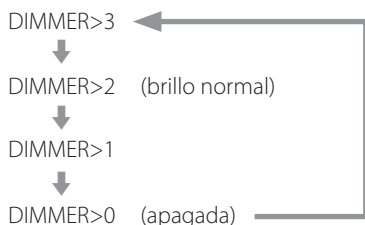
El LED del puerto ETHERNET permanece apagado durante las operaciones de reproducción.

## Ajuste del atenuador de pantalla

### DIMMER>\*\*\*

- El ajuste por defecto es "2".

Se puede ajustar el brillo de la pantalla de esta unidad.



- El atenuador de pantalla de esta unidad se puede ajustar utilizando el botón DIMMER de un mando a distancia incluido con otro producto ESOTERIC.
- Incluso aunque el ajuste sea "DIMMER>1" o "DIMMER>0", los menús de configuración y los mensajes de error se mostrarán con el brillo normal (DIMMER>2).

## Mostrar en pantalla las versiones de firmware

### F/W ver.

Pulse el botón de ajuste de configuración + cuando en la pantalla se muestre "F/W ver." para comprobar las versiones de otros firmware.

### I/F \*\*\*\*

Firmware de I/F

### NET \*\*\*\*

Firmware de red

## Configuración del ajuste de volumen

### VOLUME>\*\*\*

- El ajuste por defecto es "OFF".

#### OFF (recomendado)

Desactiva el ajuste de volumen de la app.

Las señales digitales se emiten tal cual sin pasar a través del bloque de ajuste de volumen.

#### ON

Activa el ajuste de volumen de la app.

Puesto que el volumen se ajusta en el dominio digital, los datos DSD se convierten en datos PCM.

- No se pueden reproducir archivos de audio DSD a 11,2/22,5 MHz.
- Cuando este ajuste esté en "ON", aparecerá en la parte superior izquierda de la pantalla de la unidad.

## Modo RAAT

- Esta función es compatible a partir del firmware de interfaz versión 3.00 y el firmware NET (de red) 150.

Se puede seleccionar el modo RAAT, que funciona solo con RAAT (Roon Advanced Audio Transport).

Para maximizar el rendimiento de la reproducción de música utilizando Roon, el modo RAAT detiene otros servicios admitidos en modo normal, incluidos OpenHome, Spotify Connect y Tidal Connect. El funcionamiento solo es posible desde la app de control Roon.

### Hacer los ajustes del modo RAAT

**1** Seleccione visualizar las versiones de firmware (F/W ver.) en el modo de configuración, y muestre NET.

**2** Pulse y mantenga pulsado el botón de ajuste de configuración – en la unidad.

NETM > RAAT parpadeará.

**3** Pulse y mantenga pulsado el botón de ajuste de configuración + en la unidad.

Así se selecciona el modo RAAT y se reinicia automáticamente el programa de reproductor de red de la unidad. Después de este reinicio, la reproducción de música solo será posible con Roon.

- Durante el funcionamiento en modo RAAT, RAAT aparecerá en la pantalla de la unidad.
- Cuando esté en modo RAAT, esta unidad no será reconocida por las apps de control de OpenHome, incluida ESOTERIC Sound Stream, ni por las apps de Spotify o Tidal.

### Cambiar al modo normal desde el modo RAAT

**1** Seleccione visualizar las versiones de firmware (F/W ver.) en el modo de configuración, y muestre NET.

**2** Pulse y mantenga pulsado el botón de ajuste de configuración – en la unidad.

NETM > NORM parpadeará.

**3** Pulse y mantenga pulsado el botón de ajuste de configuración + en la unidad.

Así se deshabilita el modo RAAT, se reactiva el modo normal y se reinicia automáticamente el programa de reproductor de red de la unidad. Después de este reinicio, se podrá usar OpenHome y otros servicios.

# Solución de problemas

Si tiene un problema con esta unidad, por favor dedique un momento a revisar la información que le proporcionamos a continuación antes de solicitar servicio técnico. Es más, el problema podría estar causado por algún motivo ajeno a esta unidad. Por favor, compruebe también el funcionamiento de las unidades conectadas.

Si aun así este producto no funciona correctamente, póngase en contacto con el distribuidor donde lo compró.

## General

### La unidad no se enciende.

- ➔ Enchufe el cable de corriente a una toma de electricidad.
- ➔ Compruebe la conexión del cable de corriente a esta unidad.

### La unidad se apaga automáticamente.

- ➔ Esto sucede porque la función de ahorro de energía automático la ha apagado. Pulse el botón POWER de la unidad principal para encenderla. Cambie el ajuste de la función de ahorro de energía automático si es necesario (página 46).

### La unidad no responde cuando se pulsan los botones.

- ➔ Múltiples pulsaciones de botones sin parar pueden hacer que la unidad deje de responder. Después de pulsar un botón, espere un momento hasta que la unidad responda.

### Hay ruido.

- ➔ Aleje la unidad lo más posible de televisiones y otros aparatos con fuerte magnetismo.

### No sale sonido por los altavoces. El sonido está distorsionado.

- ➔ Compruebe las conexiones con el amplificador y los altavoces.
- ➔ Ajuste el volumen del amplificador y de los restantes dispositivos.
- ➔ Cuando la reproducción está en pausa, no hay sonido. Utilice la app para reanudar la reproducción normal.

## Sincronización de reloj

### El indicador CLOCK no deja de parpadear.

- ➔ Ajuste el modo de reloj en "OFF" (desactivado) cuando no se utilice.
- ➔ Puede estar entrando una señal de reloj con la que la unidad no puede sincronizarse. Confirme que la frecuencia de salida de reloj del generador de reloj es 10 MHz. Además, compruebe la conexión del terminal 10MHz IN CLOCK y los ajustes de configuración de los dispositivos conectados.

### Se escucha un zumbido cíclico.

- ➔ Si se emite un ruido cíclico cuando la unidad está en modo de reloj, podría ser que el dispositivo conectado no esté en modo de sincronización de reloj. Compruebe la conexión del terminal 10MHz IN CLOCK y el ajuste del modo de reloj del dispositivo conectado.

### No se puede reproducir (correctamente) un archivo de audio.

- ➔ No todos los servidores multimedia (NAS) son compatibles con todos los tipos de archivos. Compruebe también las especificaciones del servidor multimedia (NAS).

### El sonido se interrumpe durante la reproducción.

- ➔ Si los archivos que utilizan compresión con pérdida, MP3 incluidos, y los archivos a 44,1 kHz y otras velocidades de bits bajas se reproducen normalmente, pero los archivos a 384 kHz y otras velocidades de bits altas, así como archivos FLAC y otros que utilizan compresión sin pérdida, se interrumpen, puede que la velocidad ETHERNET sea demasiado lenta. Los datos de audio se transmiten desde el servidor NAS a través del router. Por eso, lo mejor es utilizar cables LAN para conectar el NAS al router y el router a esta unidad.

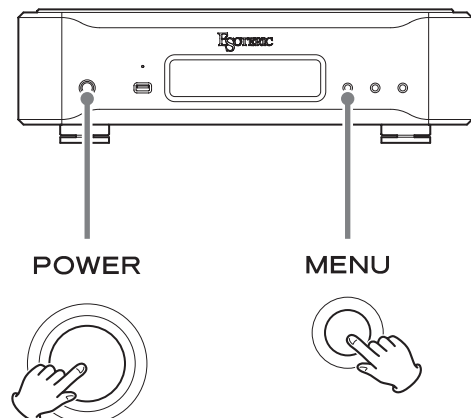
### No se muestra la frecuencia de muestreo (DSD 22M).

- ➔ Actualice el firmware a la versión 1.03 o posterior.

## Restablecer los ajustes de fábrica

Los ajustes se conservan aunque se desconecte la unidad de la corriente.

Siga este procedimiento para restablecer todos los ajustes a sus valores predeterminados de fábrica por defecto y borrar la memoria de la unidad.



Pulse el botón POWER mientras mantiene pulsado el botón MENU de la unidad principal.

### Nota sobre la condensación

Si traslada esta unidad de un ambiente frío en el exterior a una habitación cálida, o si la calefacción acaba de encenderse en la habitación donde esté ubicada, por ejemplo, podría producirse condensación provocando un funcionamiento anómalo. Si esto sucede, deje la unidad encendida y espere una o dos horas. Así debería restablecerse la reproducción con normalidad.



## Sección de red

Formatos de archivos compatibles

PCM sin pérdida . . . . .FLAC, Apple Lossless (ALAC), WAV, AIFF, MQA

DSD sin pérdida . . . . .DSF, DSDIFF (DFF), DoP

Audio comprimido . . . . .MP3, AAC (contenedor m4a)

Puerto ETHERNET . . . . . 1 (1000BASE-T)

Puertos para unidades USB . . . . . 2

Se recomienda USB 2.0 o superior

Sistemas de archivos admitidos . . . . . FAT32, NTFS

Partición única

Suministro máximo de corriente . . . . . 0,5 A

Frecuencias de muestreo admitidas

PCM . . . . . 44,1–384 kHz, 16/24/32 bits

(Para 32 bits, solo se pueden reproducir archivos con formato entero).

DSD . . . . . 2,8 MHz, 5,6 MHz, 11,2 MHz, 22,5 MHz

## Salidas digitales

Puerto USB (USB 2.0 estándar) . . . . . 1

Terminal XLR . . . . . 1

Nivel de salida . . . . . 3 Vp-p (a 110  $\Omega$ )

Terminal RCA . . . . . 1

Nivel de salida . . . . . 0,5 Vp-p (a 75  $\Omega$ )

- Límites máximos para salida por los terminales XLR y RCA:

PCM . . . . . 44,1–192 kHz, 16/24 bits

DSD . . . . . 2,8 MHz (DoP)

## Entrada de reloj

Terminal BNC . . . . . 1

Impedancia de entrada . . . . . 50  $\Omega$

Frecuencias que pueden introducirse . . . . . 10 MHz ( $\pm$ 10 ppm)

Nivel de entrada

Onda rectangular . . . . . equivalente a niveles TTL

Onda senoidal . . . . . de 0,5 a 1 Vrms

## General

Alimentación

Modelo para Europa . . . . . CA 220–240 V, 50/60 Hz

Modelo para EE. UU./Canadá . . . . . CA 120 V, 60 Hz

Modelo para Corea . . . . . CA 220 V, 60 Hz

Consumo de corriente . . . . . 31 W

Dimensiones externas (ancho  $\times$  alto  $\times$  profundo, salientes incluidos)

445  $\times$  131  $\times$  360 mm

Peso . . . . . 17 kg

Temperatura de funcionamiento . . . . . de +5  $^{\circ}$ C a +35  $^{\circ}$ C

Humedad de funcionamiento . . . . . de 5 % a 85 % (sin condensación)

Temperatura de almacenamiento . . . . . de –20  $^{\circ}$ C a +55  $^{\circ}$ C

## Accesorios incluidos

Cable de corriente  $\times$  1

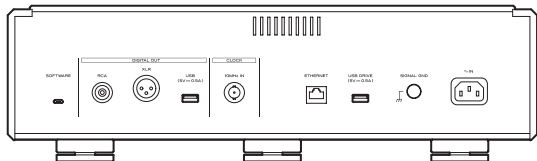
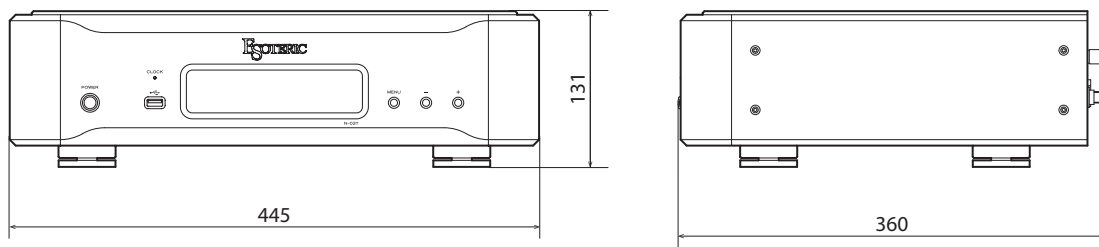
Almohadillas de fieltro  $\times$  3

Manual del usuario (este documento)  $\times$  1

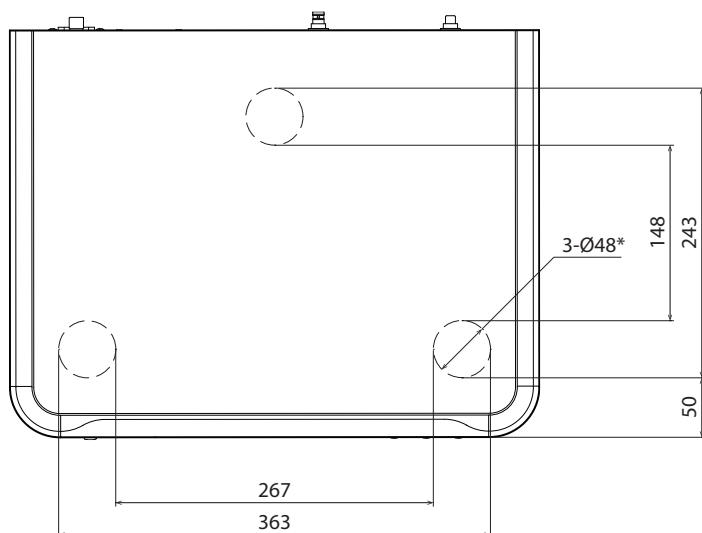
Tarjeta de garantía  $\times$  1

- Las ilustraciones de este manual pueden diferir ligeramente de los modelos de producción.
- El peso y las dimensiones son aproximados.
- El diseño y las especificaciones están sujetos a cambios sin previo aviso.

# Dibujos con las dimensiones



## Diagrama de colocación de las patas



\* Patas de 48 mm de diámetro x 3

Dimensiones en milímetros (mm)



# ESOTERIC

---

ESOTERIC COMPANY

1-47 Ochiai, Tama-shi, Tokyo 206-8530, Japan

Phone: +81-42-356-9156

---

This product has a serial number located on the rear panel. Please write it here and retain this for your records.

Model name: N-03T

Serial number \_\_\_\_\_

0922-MA-2463G