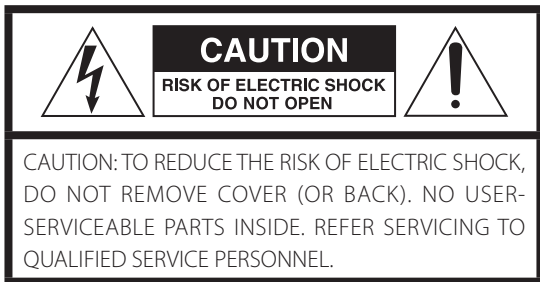


ESOTERIC

Grandioso PS1 *Power Supply Unit*

OWNER'S MANUAL.....	3
MODE D'EMPLOI.....	13
MANUAL DEL USUARIO.....	23

IMPORTANT SAFETY INSTRUCTIONS



The lightning flash with arrowhead symbol, within an equilateral triangle, is intended to alert the user to the presence of uninsulated "dangerous voltage" within the product's enclosure that may be of sufficient magnitude to constitute a risk of electric shock to persons.



The exclamation point within an equilateral triangle is intended to alert the user to the presence of important operating and maintenance (servicing) instructions in the literature accompanying the appliance.

WARNING: TO PREVENT FIRE OR SHOCK HAZARD, DO NOT EXPOSE THIS APPLIANCE TO RAIN OR MOISTURE.

CAUTION

- DO NOT REMOVE THE EXTERNAL CASES OR CABINETS TO EXPOSE THE ELECTRONICS. NO USER SERVICEABLE PARTS ARE INSIDE.
- IF YOU ARE EXPERIENCING PROBLEMS WITH THIS PRODUCT, CONTACT THE STORE WHERE YOU PURCHASED THE UNIT FOR A SERVICE REFERRAL. DO NOT USE THE PRODUCT UNTIL IT HAS BEEN REPAIRED.
- USE OF CONTROLS OR ADJUSTMENTS OR PERFORMANCE OF PROCEDURES OTHER THAN THOSE SPECIFIED HEREIN MAY RESULT IN HAZARDOUS RADIATION EXPOSURE.

- 1) Read these instructions.
- 2) Keep these instructions.
- 3) Heed all warnings.
- 4) Follow all instructions.
- 5) Do not use this apparatus near water.
- 6) Clean only with dry cloth.
- 7) Do not block any ventilation openings. Install in accordance with the manufacturer's instructions.
- 8) Do not install near any heat sources such as radiators, heat registers, stoves, or other apparatus (including amplifiers) that produce heat.
- 9) Do not defeat the safety purpose of the polarized or grounding-type plug. A polarized plug has two blades with one wider than the other. A grounding type plug has two blades and a third grounding prong. The wide blade or the third prong are provided for your safety. If the provided plug does not fit into your outlet, consult an electrician for replacement of the obsolete outlet.
- 10) Protect the power cord from being walked on or pinched particularly at plugs, convenience receptacles, and the point where they exit from the apparatus.

- 11) Only use attachments/accessories specified by the manufacturer.

- 12) Use only with the cart, stand, tripod, bracket, or table specified by the manufacturer, or sold with the apparatus. When a cart is used, use caution when moving the cart/apparatus combination to avoid injury from tip-over.



- 13) Unplug this apparatus during lightning storms or when unused for long periods of time.

- 14) Refer all servicing to qualified service personnel. Servicing is required when the apparatus has been damaged in any way, such as power-supply cord or plug is damaged, liquid has been spilled or objects have fallen into the apparatus, the apparatus has been exposed to rain or moisture, does not operate normally, or has been dropped.

- The apparatus draws nominal non-operating power from the AC outlet with its POWER or STANDBY/ON switch not in the ON position.
- The mains plug is used as the disconnect device; the disconnect device shall remain readily operable.
- Caution should be taken when using earphones or headphones with the product because excessive sound pressure (volume) from earphones or headphones can cause hearing loss.

WARNING

Products with Class **I** construction are equipped with a power supply cord that has a grounding plug. The cord of such a product must be plugged into an AC outlet that has a protective grounding connection.

IN USA/CANADA, USE ONLY ON 120V SUPPLY.

CAUTION

- Do not expose this apparatus to drips or splashes.
- Do not place any objects filled with liquids, such as vases, on the apparatus.
- Do not install this apparatus in a confined space such as a book case or similar unit.
- The apparatus should be located close enough to the AC outlet so that you can easily reach the power cord plug at any time.
- If the product uses batteries (including a battery pack or installed batteries), they should not be exposed to sunshine, fire or excessive heat.
- CAUTION for products that use replaceable lithium batteries: there is danger of explosion if a battery is replaced with an incorrect type of battery. Replace only with the same or equivalent type.

Supplier's Declaration of Conformity

Model number: Grandioso PS1

Trade name: ESOTERIC

Responsible party: 11 Trading Company, LLC

Address: 3502 Woodview Trace #200 Indianapolis, IN 46268 U.S.A.

URL: <https://11tradingcompany.com/contact-us/>

This device complies with Part.15 of FCC Rules.

Operation is subject to the following two conditions:

- 1) This device may not cause harmful interference
- 2) This device must accept any interference received, including interference that may cause undesired operation.



Information

This equipment has been tested and found to comply with the limits for a Class B digital device, pursuant to Part 15 of the FCC Rules. These limits are designed to provide reasonable protection against harmful interference in a residential installation. This equipment generates, uses, and can radiate radio frequency energy and, if not installed and used in accordance with the instructions, may cause harmful interference to radio communications. However, there is no guarantee that interference will not occur in a particular installation. If this equipment does cause harmful interference to radio or television reception, which can be determined by turning the equipment off and on, the user is encouraged to try to correct the interference by one or more of the following measures:

- Reorient or relocate the equipment and/or the receiving antenna.
- Increase the separation between the equipment and receiver.
- Connect the equipment into an outlet on a circuit different from that to which the receiver is connected.
- Consult the dealer or an experienced radio/TV technician for help.

CAUTION

Changes or modifications not expressly approved by the party responsible for compliance could void the user's authority to operate the equipment.

Model for Canada

Innovation, Science and Economic Development Canada's

Compliance Statement:

This Class B digital apparatus complies with Canadian ICES-003.

Model for Europe



This product complies with the European Directives request, and the other Commission Regulations.

Model for UK

This product complies with the applicable UK regulations.



For European Customers

Disposal of electrical and electronic equipment and batteries and/or accumulators

- a) All electrical/electronic equipment and waste batteries/accumulators should be disposed of separately from the municipal waste stream via collection facilities designated by the government or local authorities.
- b) By disposing of electrical/electronic equipment and waste batteries/accumulators correctly, you will help save valuable resources and prevent any potential negative effects on human health and the environment.
- c) Improper disposal of waste electrical/electronic equipment and batteries/accumulators can have serious effects on the environment and human health because of the presence of hazardous substances in the equipment.

- d) The Waste Electrical and Electronic Equipment (WEEE) symbols, which show wheeled bins that have been crossed out, indicate that electrical/electronic equipment and batteries/accumulators must be collected and disposed of separately from household waste.



If a battery or accumulator contains more than the specified values of lead (Pb), mercury (Hg), and/or cadmium (Cd) as defined in the Battery Directive (2006/66/EC, 2013/56/EU), then the chemical symbols **Pb, Hg, Cd** for those elements will be indicated beneath the WEEE symbol.



Pb, Hg, Cd

- e) Return and collection systems are available to end users. For more detailed information about the disposal of old electrical/electronic equipment and waste batteries/accumulators, please contact your city office, waste disposal service or the shop where you purchased the equipment.

ESOTERIC is a trademark of TEAC CORPORATION, registered in the U.S. and other countries.

Other company names, product names and logos in this document are the trademarks or registered trademarks of their respective owners.

Contents

Thank you for purchasing this ESOTERIC product.

Read this manual carefully to get the best performance from this product. After reading it, keep it in a safe place with the warranty card for future reference.

IMPORTANT SAFETY INSTRUCTIONS	3
Before use	6
Included accessories	6
Note about pinpoint feet	6
Maintenance	7
Precautions for use	7
Connections	8
Main unit parts and functions	10
Basic operation	10
Turning the power on and off	10
Troubleshooting	11
Specifications	11
Dimensional drawings	12
Foot placement diagram	12

Included accessories

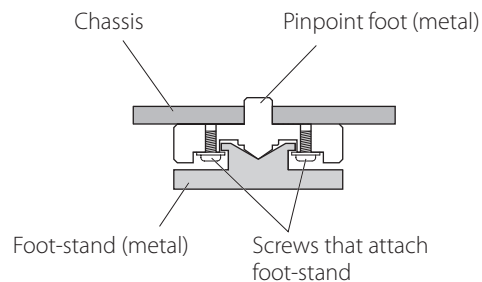
Check to be sure the box includes all the supplied accessories shown below. Please contact the store where you purchased this product if any of these accessories are missing or have been damaged during transportation.

- Power cord × 1
- DC power connection cords × 2
- Felt pads × 4
- Warranty card × 1
- Owner's manual (this document) × 1

Note about pinpoint feet

High-precision metal pinpoint feet are attached to the bottom plate of this unit.

The pinpoint feet and their stands are loose, but when the unit is placed in position, it is supported by these pinpoint feet, which will effectively disperse vibrations.



- Apply the included felt pads to the bottoms of the foot-stands to avoid scratching the surface where the unit is placed.

Maintenance

Use a soft dry cloth to wipe the surface of the unit clean. For stubborn smudges, use a damp cloth that has been thoroughly wrung out to remove excess moisture.

- Never spray liquid directly on this unit.
- Do not wipe with chemical cleaning cloths, thinner or other chemical agents. Doing so could damage the surface.
- Avoid allowing rubber or plastic materials to touch the unit for long periods of time because they could damage the cabinet.



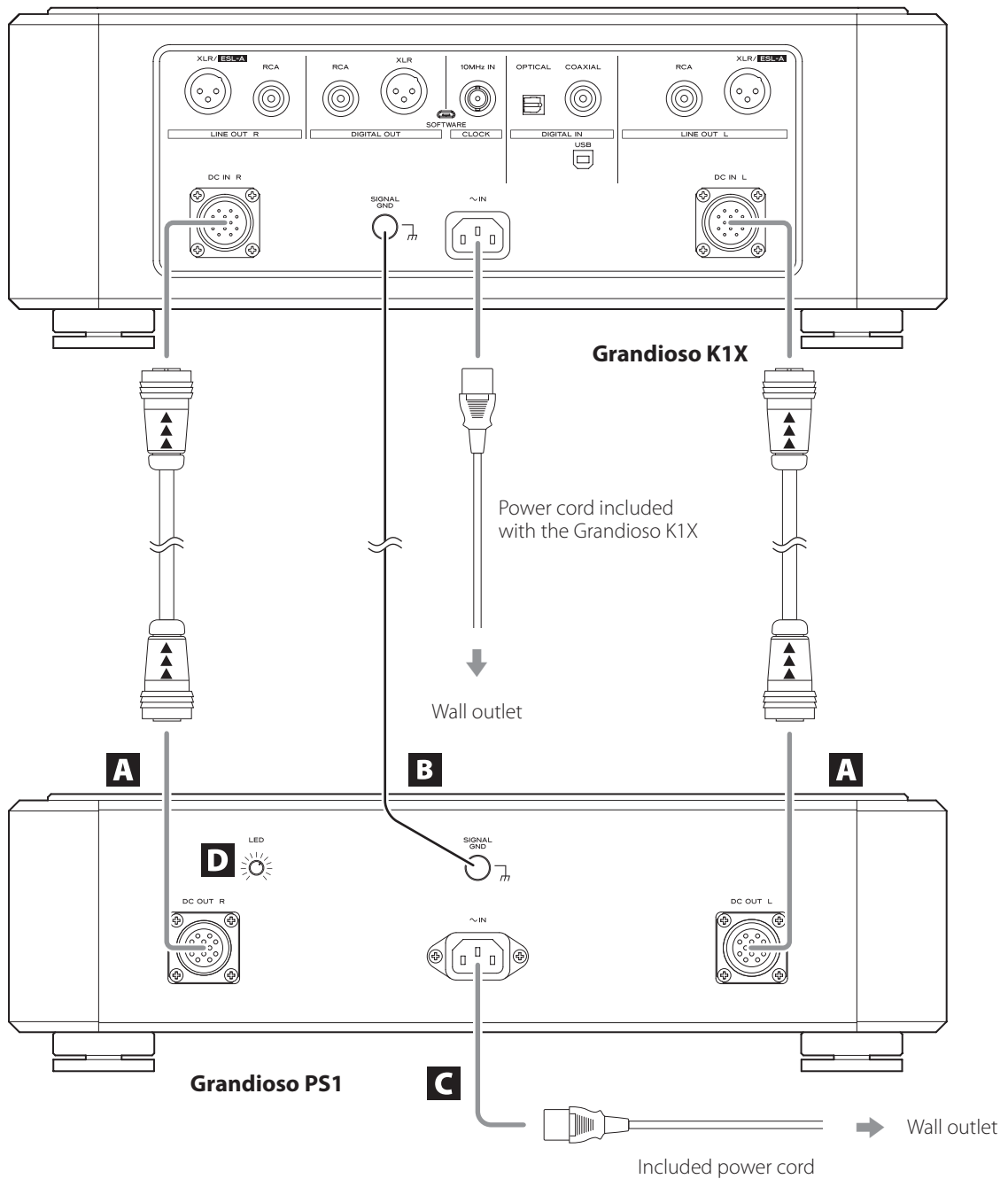
For your safety, disconnect the power cord from the outlet before cleaning.

- This unit is very heavy, so take care to avoid injury during installation.
- Do not install this unit in a location that could become hot. This includes places that are exposed to direct sunlight or near a radiator, heater, stove or other heating equipment. Moreover, do not place it on top of an amplifier or other equipment that generates heat. Doing so could cause discoloration or deformation.
- In order to enable good heat dissipation, leave at least 20 cm (8") between this unit and walls and other equipment when installing it. If you put it in a rack, take precautions to prevent overheating by leaving at least 5 cm (2") open above the top of the unit and at least 10 cm (4") open behind the unit. Failure to provide these gaps could cause heat to build up inside and result in fire.
- Place the unit in a stable location.
- Do not place anything on top of the unit.
- The voltage supplied to the unit should match the voltage as printed on its back. If you are in any doubt regarding this matter, consult an electrician.
- Do not open the body of the unit as this might result in damage to the circuitry or cause electric shock. If a foreign object should get into the unit, contact your dealer.
- When removing the power plug from an outlet, always pull directly on the plug. Never pull on the cord itself.

Connections

Precautions when making connections

- Plug the power cords into both this unit and the Grandioso K1X.
- After completing all other connections, plug the power plugs into power outlets.
Always disconnect the power plug before connecting other cords to this unit. When this unit is connected to a power outlet, if the tip of a cord or other metal part touches a DC OUT connector pin, the pin could short, causing damage.
- Read the Owner's Manual of the device that will be connected, and follow its instructions.
- Be sure to connect the DC power connection cords with the correct orientation as shown by the arrowhead marks.
- The DC power connection cords included with this unit are specifically for connection to a Grandioso K1X.

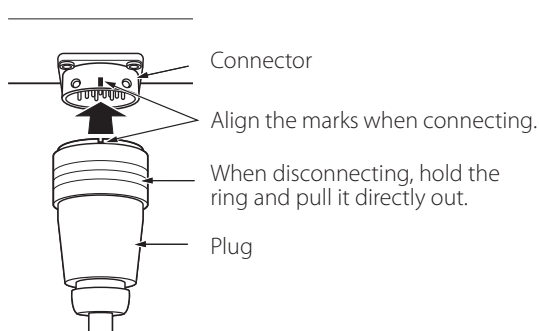


A DC power output connectors (DC OUT)

Use 2 DC power connection cords to connect the DC IN connectors of the Grandioso K1X with the DC power output connectors of this unit.

DC OUT R → DC IN R
DC OUT L → DC IN L

- Use the DC power connection cords included with this unit for connections.
- The DC power cords have arrows printed on them. Connect them so that the arrows point in the direction shown in the illustration on page 8.
Check the orientation of the pins and the arrows of each DC power cord and hold it by its plug. Align the marks on the plug and the connector and push it in completely until it clicks into place. When disconnecting, hold the ring and pull it directly out. When connecting or disconnecting power cords, do not angle or wiggle the plugs.
- Always disconnect the power plug before connecting or disconnecting a DC power connection cord.
- Be careful not to pinch your fingers in the ring when connecting or disconnecting a DC power cord.



⚠ Never connect this to a P-0, P-01, Grandioso P1 or Grandioso P1X unit. Doing so could cause damage.

B SIGNAL GND grounding terminal

Connecting this grounding terminal to the grounding terminal of a D/A converter, amplifier or other device might improve the audio quality.

- This is not a safety grounding terminal.

C AC power inlet (~IN)

Connect the included AC power cord to this AC inlet. After completing all other connections, plug the power plug into a power outlet.

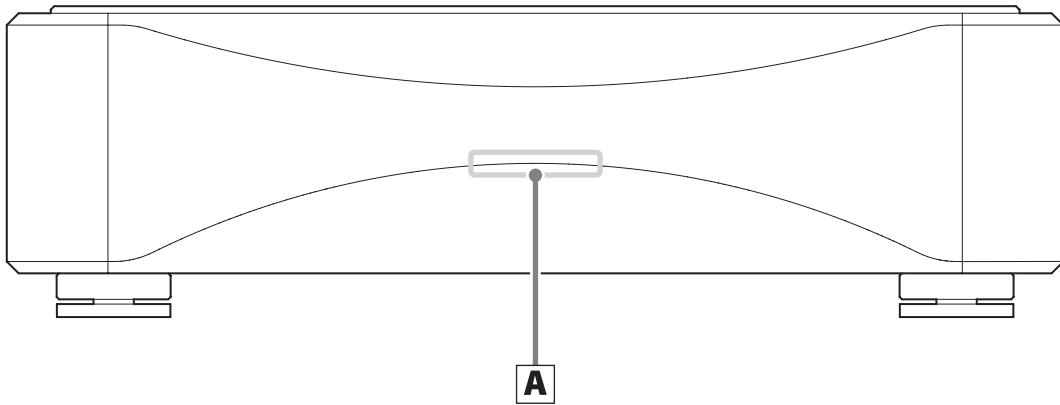
⚠ Use only a genuine ESOTERIC power cord. Use of other power cords could result in fire or electric shock.

⚠ Disconnect the power plug from the outlet if you will not use the unit for a long time.

D LED brightness adjustment knob

Turn to adjust the brightness of the power indicator.

Main unit parts and functions



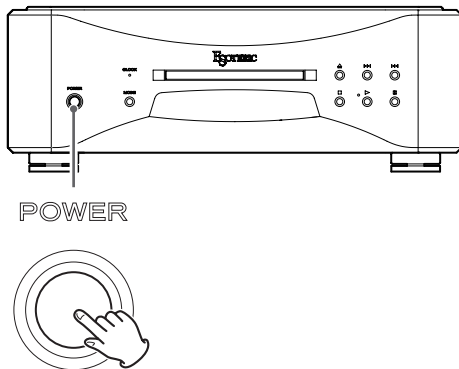
A Power indicator

This lights when the power is on.

- If it blinks, confirm that this unit's AC inlet (~IN) is connected to a power outlet with the power cord.

Basic operation

Turning the power on and off



Use the POWER button for the Grandioso K1X to turn this unit on and off.

If you experience a problem with this product, please take a moment to review the following information before requesting service. Moreover, the problem might be caused by something other than this unit. Please also check the operation of the connected unit. If this product still does not operate correctly, contact the retailer where you purchased it.

The unit does not turn on.

- ➔ Confirm that the power cord is securely connected to both the inlet on the back of this unit and a power outlet.
- ➔ Confirm that power is being supplied to the outlet to which the power cord is connected by, for example, connecting another device to it.
- ➔ Confirm that the DC power connection cords are properly connected.

Note about condensation

If this unit is brought from a cold outdoor environment into a warm room, or the heater has just been turned on in the room where it is located, for example, condensation might occur on operating parts, resulting in improper operation. If this occurs, leave the unit on and wait one to two hours. This should enable normal playback.

General

Power supply

Model for Europe	AC 220–240 V, 50/60 Hz
Model for USA/Canada	AC 120 V, 60 Hz
Model for Korea	AC 220 V, 60 Hz

Power consumption 17 W

External dimensions (W × H × D, including protrusions)

445 × 132 × 452 (mm) (17 5/8" × 5 1/4" × 17 7/8")

Weight 23.7 kg (52 1/4 lb)

Operating temperature +5°C to +35°C

Operating humidity range 5% to 85% (no condensation)

Storage temperature –20°C to +55°C

Included accessories

Power cord × 1

DC power connection cords × 2

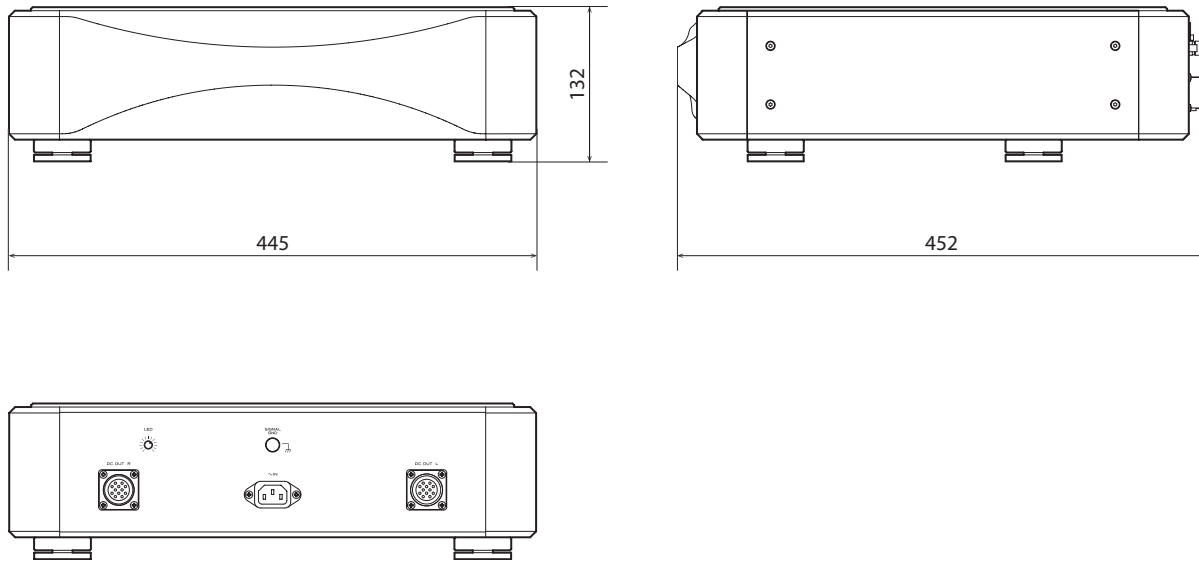
Felt pads × 4

Owner's manual (this document) × 1

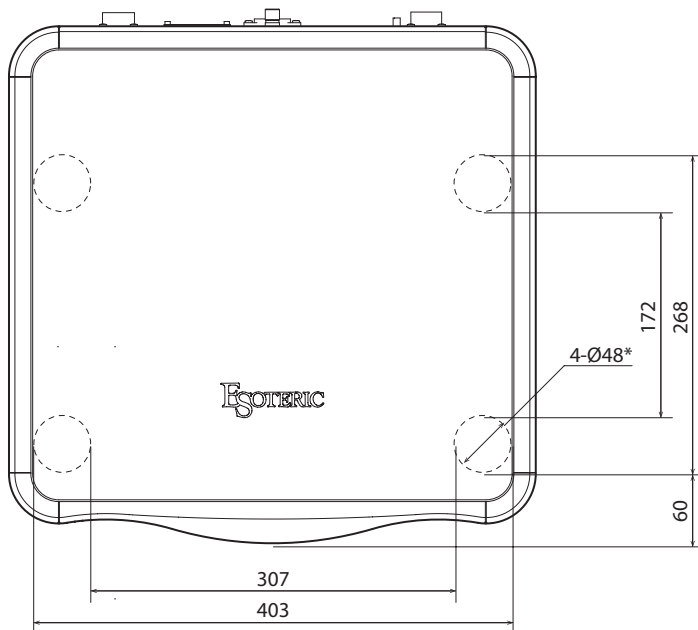
Warranty card × 1

- Specifications and appearance are subject to change without notice.
- Weight and dimensions are approximate.
- Illustrations in this Owner's Manual might differ slightly from production models.

Dimensional drawings



Foot placement diagram



Dimensions in millimeters (mm)
*48mm diameter feet x 4

INSTRUCTIONS DE SÉCURITÉ IMPORTANTES



Le symbole d'éclair à tête de flèche dans un triangle équilatéral sert à prévenir l'utilisateur de la présence dans l'enceinte du produit d'une « tension dangereuse » non isolée d'une grandeur suffisante pour constituer un risque d'électrocution pour les personnes.



Le point d'exclamation dans un triangle équilatéral sert à prévenir l'utilisateur de la présence d'instructions importantes de fonctionnement et de maintenance (entretien) dans les documents accompagnant l'appareil.

AVERTISSEMENT : POUR PRÉVENIR LES RISQUES D'INCENDIE ET D'ÉLECTROCUTION, N'EXPOSEZ PAS CET APPAREIL À LA PLUIE NI À L'HUMIDITÉ.

ATTENTION

- NE RETIREZ PAS LES CAPOTS EXTERNES OU BOÎTIERS POUR EXPOSER L'ÉLECTRONIQUE. AUCUNE PIÈCE INTERNE N'EST RÉPARABLE PAR L'UTILISATEUR.
- SI VOUS RENCONTREZ DES PROBLÈMES AVEC CE PRODUIT, CONTACTEZ LE MAGASIN OÙ VOUS AVEZ ACHETÉ L'UNITÉ. N'UTILISEZ PAS LE PRODUIT TANT QU'IL N'A PAS ÉTÉ RÉPARÉ.
- L'UTILISATION DE COMMANDES, DE RÉGLAGES OU LE SUIVI DE PROCÉDURES AUTRES QUE CE QUI EST DÉCRIT DANS CE DOCUMENT PEUT PROVOQUER UNE EXPOSITION À UN RAYONNEMENT DANGEREUX.

- 1) Lisez ces instructions.
- 2) Conservez ces instructions.
- 3) Tenez compte de tous les avertissements.
- 4) Suivez toutes les instructions.
- 5) N'utilisez pas cet appareil avec de l'eau à proximité.
- 6) Ne nettoyez l'appareil qu'avec un chiffon sec.
- 7) Ne bloquez aucune ouverture de ventilation. Installez-le conformément aux instructions du fabricant.
- 8) N'installez pas l'appareil près de sources de chaleur telles que des radiateurs, bouches de chauffage, poêles ou autres appareils (y compris des amplificateurs) dégageant de la chaleur.
- 9) Ne neutralisez pas la fonction de sécurité de la fiche polarisée ou de terre. Une fiche polarisée a deux broches, l'une plus large que l'autre. Une fiche de terre a deux broches identiques et une troisième broche pour la mise à la terre. La broche plus large ou la troisième broche servent à votre sécurité. Si la fiche fournie n'entre pas dans votre prise, consultez un électricien pour le remplacement de la prise obsolète.

10) Évitez de marcher sur le cordon d'alimentation et de le pincer, en particulier au niveau des fiches, des prises secteur, et du point de sortie de l'appareil.

11) N'utilisez que des fixations/accessoires spécifiés par le fabricant.

12) Utilisez-le uniquement avec des chariots, socles, trépieds, supports ou tables spécifiés par le fabricant ou vendus avec l'appareil. Si un chariot est utilisé, faites attention à ne pas être blessé par un renversement lors du déplacement de l'ensemble chariot/appareil.



13) Débranchez cet appareil en cas d'orage ou de non utilisation prolongée.

14) Confiez toute réparation à des techniciens de maintenance qualifiés. Une réparation est nécessaire si l'appareil a été endommagé d'une quelconque façon, par exemple si le cordon ou la fiche d'alimentation est endommagé, si du liquide a été renversé sur l'appareil ou si des objets sont tombés dedans, si l'appareil a été exposé à la pluie ou à l'humidité, s'il ne fonctionne pas normalement, ou s'il est tombé.

- L'appareil tire un courant nominal de veille de la prise secteur quand son interrupteur POWER ou STANDBY/ON n'est pas en position ON.
- La fiche secteur est utilisée comme dispositif de déconnexion et doit donc toujours rester disponible.
- Des précautions doivent être prises en cas d'utilisation d'écouteurs ou d'un casque avec le produit car une pression sonore excessive (volume trop fort) dans les écouteurs ou dans le casque peut causer une perte auditive.

AVERTISSEMENT

Les produits ayant une construction de Classe **I** sont équipés d'un cordon d'alimentation avec une fiche de terre. Le cordon d'un tel produit doit être branché dans une prise secteur avec terre de sécurité.

AUX USA/CANADA, UTILISEZ UNIQUEMENT UNE TENSION D'ALIMENTATION DE 120 V.

ATTENTION

- N'exposez pas cet appareil aux gouttes ni aux éclaboussures.
- Ne placez pas d'objet rempli de liquide sur l'appareil, comme par exemple un vase.
- N'installez pas cet appareil dans un espace confiné comme une bibliothèque ou un meuble similaire.
- L'appareil doit être placé suffisamment près de la prise de courant pour que vous puissiez à tout moment attraper facilement la fiche du cordon d'alimentation.
- Si le produit utilise des piles/batteries (y compris un pack de batteries ou des piles installées), elles ne doivent pas être exposées au soleil, au feu ou à une chaleur excessive.
- **PRÉCAUTION** pour les produits qui utilisent des batteries remplaçables au lithium : remplacer une batterie par un modèle incorrect entraîne un risque d'explosion. Remplacez-les uniquement par un type identique ou équivalent.

Modèle pour le Canada

Déclaration de conformité d'Innovation, Sciences et Développement économique Canada :

CET APPAREIL NUMÉRIQUE DE LA CLASSE B EST CONFORME À LA NORME NMB-003 DU CANADA



Modèle pour l'Europe



Ce produit est conforme aux directives européennes et aux autres réglementations de la Commission européenne.

Pour les consommateurs européens

Mise au rebut des équipements électriques et électroniques et des piles et/ou accumulateurs

- Tout équipement électrique/électronique et pile/accumulateur hors d'usage doit être traité séparément de la collecte municipale d'ordures ménagères dans des points de collecte désignés par le gouvernement ou les autorités locales.
- En vous débarrassant correctement des équipements électriques/électroniques et piles/accumulateurs hors d'usage, vous contribuerez à la sauvegarde de précieuses ressources et à la prévention de potentiels effets négatifs sur la santé humaine et l'environnement.
- Le traitement incorrect des équipements électriques/électroniques et piles/accumulateurs hors d'usage peut avoir des effets graves sur l'environnement et la santé humaine en raison de la présence de substances dangereuses dans les équipements.
- Le symbole de déchets d'équipements électriques et électroniques (DEEE), qui représente une poubelle à roulettes barrée d'une croix, indique que les équipements électriques/électroniques et piles/accumulateurs doivent être collectés et traités séparément des déchets ménagers.

Si une pile ou un accumulateur contient plus que les valeurs de plomb (Pb), mercure (Hg) et/ou cadmium (Cd) spécifiées dans la directive sur les piles et accumulateurs (2006/66/CE, 2013/56/UE), alors les symboles chimiques de ces éléments seront indiqués sous le symbole DEEE.

- Des systèmes de retour et de collecte sont disponibles pour l'utilisateur final. Pour des informations plus détaillées sur la mise au rebut des vieux équipements électriques/électroniques et piles/accumulateurs hors d'usage, veuillez contacter votre mairie, le service d'ordures ménagères ou le magasin dans lequel vous avez acquis l'équipement.

ESOTERIC is a trademark of TEAC CORPORATION, registered in the U.S. and other countries.

Les autres noms de société, noms de produit et logos présents dans ce document sont des marques commerciales ou déposées de leurs détenteurs respectifs.

Sommaire

Nous vous remercions d'avoir choisi ce produit ESOTERIC.

Lisez attentivement ce mode d'emploi pour tirer les meilleures performances de ce produit. Après l'avoir lu, gardez-le en lieu sûr avec la carte de garantie pour vous y référer ultérieurement.

INSTRUCTIONS DE SÉCURITÉ IMPORTANTES.....	13
Avant l'utilisation.....	16
Accessoires fournis.....	16
Note sur les pieds de découplage.....	16
Entretien.....	17
Précautions d'emploi.....	17
Branchements.....	18
Parties et fonctions de l'unité principale.....	20
Fonctionnement de base.....	20
Mise sous et hors tension.....	20
Guide de dépannage.....	21
Caractéristiques techniques.....	21
Schémas avec cotes.....	22
Schéma de positionnement des pieds.....	22

Accessoires fournis

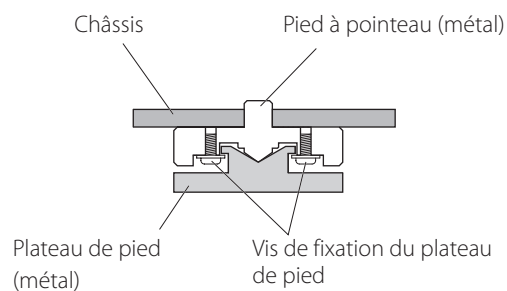
Vérifiez que vous disposez bien de tous les accessoires indiqués ci-dessous. Veuillez contacter le magasin dans lequel vous avez acheté ce produit si l'un de ces accessoires manque ou a été endommagé durant le transport.

- Cordon d'alimentation × 1
- Cordons d'alimentation CC × 2
- Patins en feutre × 4
- Mode d'emploi (ce document) × 1
- Carte de garantie × 1

Note sur les pieds de découplage

Des pieds à pointeau métallique de haute précision sont fixés à la plaque inférieure de cette unité.

Les pieds à pointeau et leur plateau de protection ne sont pas fixés de façon rigide, mais quand l'unité est posée à sa place, elle est soutenue par ces pieds à pointeau, qui dispersent efficacement les vibrations.



- Fixez les patins de feutre fournis sous les pieds de protection pour éviter de rayer la surface sur laquelle est placée l'unité.

Entretien

Utilisez un chiffon sec et doux pour nettoyer la surface de l'unité. Pour les taches tenaces, utilisez un chiffon humide soigneusement essoré afin d'éliminer l'excès d'humidité.

- Ne vaporisez jamais du liquide directement sur cette unité.
- N'utilisez pas de lingettes de nettoyage imbibées de produit chimique, de diluant ou d'autres agents chimiques. Cela pourrait endommager la surface.
- Évitez un contact prolongé de l'unité avec des matériaux caoutchouteux ou plastiques car ceux-ci peuvent endommager le boîtier.



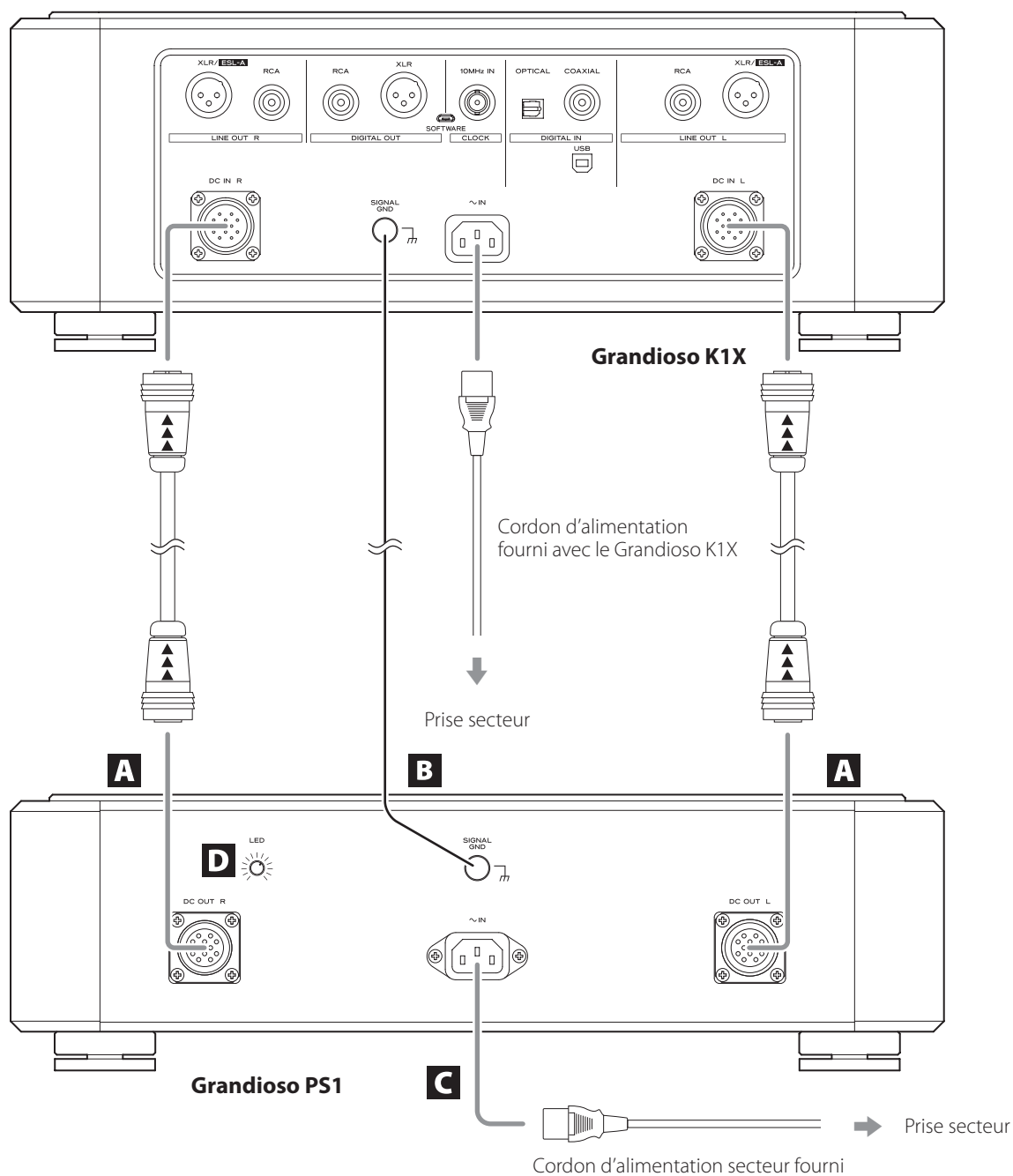
Pour votre sécurité, débranchez le cordon d'alimentation de la prise secteur avant tout nettoyage.

- L'unité est très lourde, aussi faites attention de ne pas vous blesser durant l'installation.
- N'installez pas cette unité dans un lieu qui pourrait chauffer. Cela comprend les endroits exposés directement au soleil ou près d'un radiateur, d'un chauffage, d'une cuisinière ou d'autres appareils chauffants. En outre, ne la placez pas au-dessus d'un amplificateur ou autre équipement dégageant de la chaleur. Cela pourrait causer une décoloration ou une déformation.
- Afin de permettre une bonne dissipation de la chaleur, laissez au moins 20 cm entre cette unité et les murs et les autres équipements lors de l'installation. Si vous la placez dans un rack, prenez les précautions nécessaires pour éviter la surchauffe en laissant au moins 5 cm d'espace libre au-dessus de l'unité et au moins 10 cm derrière.
Ne pas laisser ces espaces peut faire monter la température au risque d'entraîner un incendie.
- Placez l'unité dans un endroit stable.
- Ne placez rien sur l'unité.
- La tension du courant fourni à l'unité doit correspondre à la tension imprimée sur sa face arrière. Si vous avez des doutes à ce sujet, consultez un électricien.
- N'ouvrez pas le boîtier de l'unité car cela peut endommager les circuits ou causer un choc électrique. Si un objet étranger pénètre dans l'unité, consultez votre revendeur.
- Quand vous débranchez la fiche d'alimentation d'une prise secteur, tirez toujours directement sur la fiche. Ne tirez jamais sur le cordon lui-même.

Branchements

Précautions lors des branchements

- Branchez les cordons d'alimentation à la fois dans cette unité et dans le Grandioso K1X.
- Après avoir terminé tous les autres branchements, insérez les fiches des cordons d'alimentation dans des prises secteur. Débranchez toujours la fiche d'alimentation avant de brancher d'autres câbles à cette unité. Quand cette unité est raccordée à une prise de courant, si la pointe d'un câble ou d'une autre pièce métallique touche une broche du connecteur DC OUT, cette broche peut entrer en court-circuit, ce qui causerait des dommages.
- Lisez le mode d'emploi de l'appareil qui sera connecté et suivez ses instructions.
- Veillez à brancher les cordons d'alimentation CC conformément à l'orientation indiquée par les marquages de flèche.
- Les cordons d'alimentation CC fournis avec cette unité sont spécialement conçus pour la connexion à un Grandioso K1X.

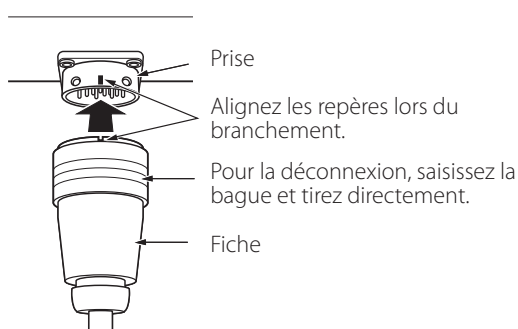


A Prises de sortie d'alimentation CC (DC OUT)

Utilisez 2 cordons d'alimentation CC pour brancher les prises DC IN du Grandioso K1X aux prises de sortie d'alimentation CC de cette unité.

DC OUT R → DC IN R
DC OUT L → DC IN L

- Pour les connexions, utilisez les cordons d'alimentation CC fournis avec cette unité.
- Des flèches sont imprimées sur les cordons d'alimentation CC. Branchez ces derniers de façon à ce que les flèches pointent dans la direction indiquée par l'illustration en page 18. Vérifiez l'orientation des broches et des flèches sur chaque cordon d'alimentation CC que vous tiendrez par sa fiche. Alignez les repères sur la fiche et sur le connecteur et enfoncez la fiche à fond jusqu'à ce qu'elle s'enclenche. Pour la déconnexion, saisissez la bague et tirez directement. Lorsque vous branchez ou débranchez les cordons d'alimentation, ne tordez pas et n'inclinez pas les fiches.
- Débranchez toujours la fiche d'alimentation avant de brancher ou de débrancher un cordon d'alimentation CC.
- Veillez à ne pas vous pincer les doigts avec la bague lors de la connexion ou déconnexion d'un cordon d'alimentation CC.



⚠ Ne reliez jamais cette prise à une unité P-0, P-01, Grandioso P1 ou Grandioso P1X. Cela pourrait entraîner des dommages.

B Borne de masse SIGNAL GND

Raccorder cette borne de mise à la masse à celle d'un convertisseur N/A, amplificateur ou autre appareil peut améliorer la qualité audio.

- Ce n'est pas une borne de terre de sécurité.

C Prise d'entrée secteur (~IN)

Branchez le cordon d'alimentation secteur fourni à cette prise. Après avoir terminé tous les autres branchements, insérez la fiche du cordon d'alimentation dans une prise secteur.

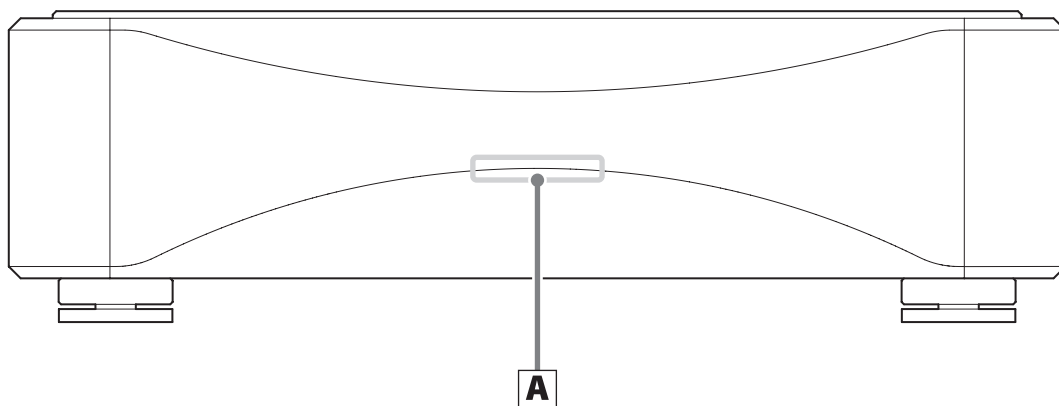
⚠ N'utilisez qu'un authentique cordon d'alimentation ESOTERIC. L'utilisation d'autres cordons d'alimentation peut entraîner un incendie ou un choc électrique.

⚠ Débranchez le cordon de la prise secteur en cas de non-utilisation prolongée de l'unité.

D Bouton de réglage de luminosité de LED

Tournez-le pour régler la luminosité du voyant d'alimentation.

Parties et fonctions de l'unité principale



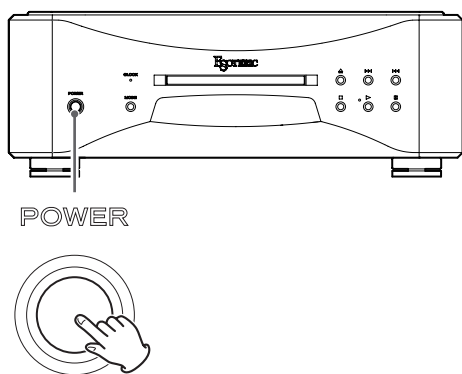
A Voyant d'alimentation POWER

Il s'allume quand l'unité est sous tension.

- S'il clignote, vérifiez que l'entrée secteur (~IN) de cet appareil est raccordée à une prise de courant avec le cordon d'alimentation.

Fonctionnement de base

Mise sous et hors tension



Utilisez le commutateur POWER du Grandioso K1X pour allumer et éteindre cette unité.

Si vous rencontrez un problème avec ce produit, veuillez prendre un moment pour lire les informations suivantes avant de solliciter une réparation. Par ailleurs, cette unité n'est peut-être pas la cause du problème. Veuillez aussi vérifier le fonctionnement de l'unité connectée. Si ce produit ne fonctionne toujours pas correctement, contactez le revendeur chez qui vous l'avez acheté.

L'unité ne s'allume pas.

- ➔ Vérifiez que le cordon d'alimentation est bien connecté à la fois à la prise située à l'arrière de cette unité et à une prise de courant.
- ➔ Vérifiez que la prise à laquelle est branché le cordon d'alimentation reçoit bien du courant, par exemple en y branchant un autre appareil.
- ➔ Vérifiez que les cordons d'alimentation CC sont correctement branchés.

Note concernant la condensation

Si on fait passer cette unité d'un environnement extérieur froid à une pièce chauffée, ou si par exemple le chauffage vient d'être allumé dans la pièce où elle se trouve, de la condensation peut se produire sur les pièces de fonctionnement, entraînant un fonctionnement incorrect. Si cela se produit, laissez l'unité allumée et attendez une ou deux heures. Cela devrait permettre un retour de la lecture à la normale.

Générales

Alimentation électrique	
Modèle Europe.....	CA 220–240 V, 50/60 Hz
Modèle USA/Canada.....	CA 120 V, 60 Hz
Modèle Corée.....	CA 220 V, 60 Hz
Consommation électrique..... 17 W	
Dimensions externes (L x H x P, saillies incluses)	
	445 x 132 x 452 mm
Poids.....	23,7 kg
Température de fonctionnement.....	+5 °C à +35 °C
Hygrométrie de fonctionnement.....	5 % à 85 % (sans condensation)
Température de stockage.....	–20 °C à +55 °C

Accessoires fournis

Cordon d'alimentation x 1
Cordons d'alimentation CC x 2
Patins en feutre x 4
Mode d'emploi (ce document) x 1
Carte de garantie x 1

- Caractéristiques techniques et aspect sont sujets à changements sans préavis.
- Le poids et les dimensions sont des valeurs approchées.
- Les illustrations de ce mode d'emploi peuvent légèrement différer des modèles de production.

Schémas avec cotes

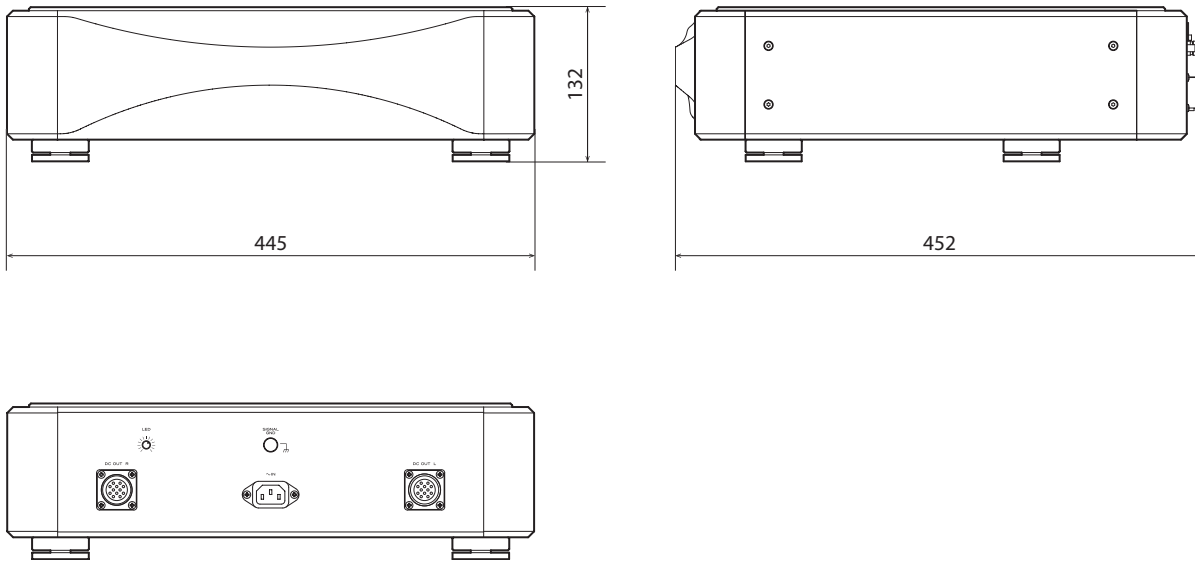
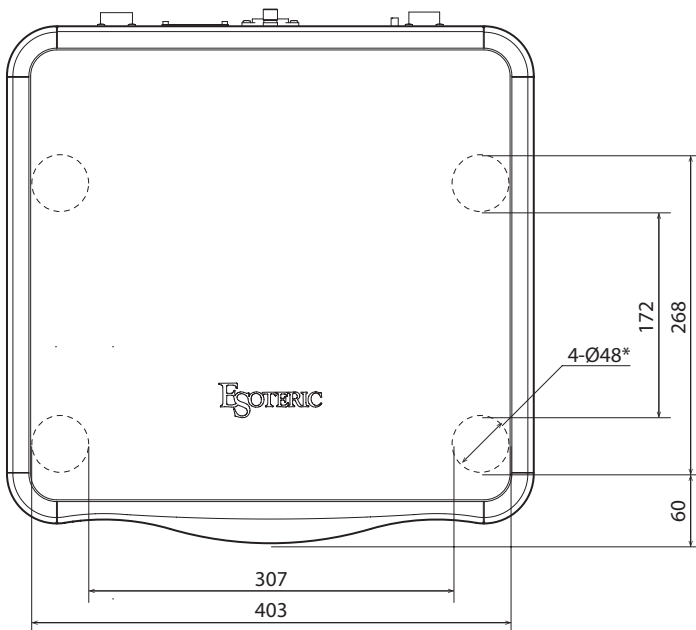


Schéma de positionnement des pieds



Les dimensions sont en millimètres (mm)

*Pieds de 48 mm de diamètre x 4

INSTRUCCIONES IMPORTANTES DE SEGURIDAD



El símbolo del rayo acabado en flecha dentro de un triángulo equilátero alerta al usuario de la presencia de un "voltaje peligroso" sin aislar dentro de la carcasa del producto que puede ser de magnitud suficiente como para constituir riesgo de descarga eléctrica para las personas.



El signo de exclamación dentro de un triángulo equilátero alerta al usuario de la presencia de importantes instrucciones de funcionamiento y mantenimiento en la literatura que acompaña al aparato.

AVISO: PARA EVITAR RIESGO DE INCENDIO O DESCARGAS ELÉCTRICAS, NO EXPONGA ESTE APARATO A LA LLUVIA NI A LA HUMEDAD.

PRECAUCIÓN

- NO quite las carcasas externas ni deje al aire la electrónica. ¡EN EL INTERIOR NO HAY PIEZAS QUE EL USUARIO PUEDA MANIPULAR!
- SI EXPERIMENTA PROBLEMAS CON ESTE PRODUCTO, PÓNGASE EN CONTACTO CON EL ESTABLECIMIENTO DONDE ADQUIRIÓ LA UNIDAD PARA SOLICITAR SERVICIO TÉCNICO. NO UTILICE EL APARATO HASTA QUE HAYA SIDO REPARADO.
- EL USO DE CONTROLES, AJUSTES O PROCEDIMIENTOS QUE NO SEAN LOS ESPECIFICADOS EN ESTE MANUAL PUEDE CAUSAR EXPOSICIÓN A RADIACIONES PELIGROSAS.

- 1) Lea estas instrucciones.
- 2) Conserve estas instrucciones.
- 3) Cumpla con lo indicado en los avisos.
- 4) Siga todas las instrucciones.
- 5) No utilice este aparato cerca del agua.
- 6) Límpielo solo con un trapo seco.
- 7) No bloquee ninguna de las ranuras de ventilación. Instale este aparato de acuerdo con las instrucciones del fabricante.
- 8) No instale este aparato cerca de fuentes de calor como radiadores, calentadores, hornos u otros aparatos (incluyendo amplificadores) que produzcan calor.
- 9) No elimine el sistema de seguridad que supone el enchufe polarizado o con toma de tierra. Un enchufe polarizado tiene dos bornes, uno más ancho que el otro. Uno con toma de tierra tiene dos bornes iguales y una tercera lámina para la conexión a tierra. El borne ancho o la lámina se incluyen para su seguridad. Si el enchufe que venga con la unidad no encaja en su salida de corriente, haga que un electricista cambie su salida anticuada.

10) Evite que el cable de corriente quede de forma que pueda ser pisado o quedar retorcido o aplastado, especialmente en los enchufes, receptáculos o en el punto en el que salen del aparato.

11) Use solo accesorios / complementos especificados por el fabricante.

12) Utilice este aparato solo con un soporte, trípode o bastidor especificado por el fabricante o que se venda con el propio aparato. Cuando utilice un bastidor con ruedas, tenga cuidado al mover la combinación de aparato/bastidor para evitar que vuelque y puedan producirse daños.



13) Desconecte este aparato de la corriente durante las tormentas eléctricas o cuando no lo vaya a usar durante un periodo de tiempo largo.

14) Dirija cualquier posible reparación solo al servicio técnico oficial. Este aparato deberá ser reparado si se ha dañado de alguna forma, como por ejemplo si el cable de corriente o el enchufe están rotos, si ha sido derramado algún líquido sobre la unidad o algún objeto ha sido introducido en ella, si ha quedado expuesto a la lluvia o la humedad, si no funciona normalmente o si ha caído al suelo en algún momento.

- Este aparato libera corriente nominal no válida para el funcionamiento a través de la toma de corriente, aún cuando el interruptor de encendido y activación (POWER o STANDBY/ON) no esté en la posición de encendido (ON).
- El enchufe que se conecta a la red es el dispositivo de desconexión, por lo que deberá permanecer siempre en perfecto estado de uso.
- Deberá llevar cuidado si utiliza auriculares con este producto, ya que una excesiva presión sonora (volumen) procedente de los mismos puede causar pérdidas de audición.

AVISO

Los productos con construcción de Clase **I** están equipados con un cable de alimentación que tiene conexión de tierra. El cable de estos productos deberá conectarse a una toma de corriente que tenga conexión de protección de tierra.

EN EE. UU./CANADÁ, UTILICE SOLO ALIMENTACIÓN CON CORRIENTE DE 120 V.

PRECAUCIÓN

- No exponga este aparato a salpicaduras ni goteras.
- No coloque objetos que contengan líquidos, como por ejemplo jarrones, sobre el aparato.
- No instale este aparato en lugares cerrados tales como estanterías o similares.
- Este aparato debe situarse lo suficientemente cerca de una toma de electricidad como para poder alcanzar fácilmente el cable de corriente en cualquier momento.
- Si el producto utiliza pilas (esto incluye las pilas instaladas y los "packs" de pilas), se evitará su exposición directa al sol, al fuego o a cualquier otra fuente de calor excesivo.
- PRECAUCIÓN con los productos que emplean baterías de litio reemplazables: existe peligro de explosión si la batería se reemplaza por otra de tipo incorrecto. Reemplácela sólo por otra igual o de tipo equivalente.

Declaración de conformidad del suministrador



Número de modelo: Grandioso PS1
Marca comercial: ESOTERIC
Parte responsable: 11 Trading Company, LLC
Dirección: 3502 Woodview Trace #200 Indianapolis, IN 46268 U.S.A.
URL: <https://11tradingcompany.com/contact-us/>
Este dispositivo cumple con el apartado 15 de las Normas de la FCC. Su funcionamiento está sujeto a las dos siguientes condiciones:

- 1) Este dispositivo no puede causar interferencias perjudiciales
- 2) Este dispositivo debe aceptar cualquier interferencia recibida, incluidas interferencias que puedan causar anomalías de funcionamiento.

Información

Se ha comprobado que este equipo cumple con los límites establecidos para los dispositivos digitales de Clase B, de acuerdo con el apartado 15 de las Normas de la FCC. Estos límites están diseñados para proporcionar una protección razonable contra interferencias perjudiciales en instalaciones residenciales. Este equipo genera, utiliza y puede irradiar energía de radiofrecuencia y, si no se instala y se utiliza de acuerdo con las instrucciones, puede causar interferencias perjudiciales en las comunicaciones por radio. Sin embargo, no se puede garantizar que dichas interferencias no se produzcan en instalaciones particulares. Si este equipo causa interferencias perjudiciales en la recepción de radio o televisión, que se comprueban apagando y encendiendo el equipo, se recomienda al usuario que intente corregirla mediante una o varias de las siguientes medidas:

- Reoriente o recolocque el equipo y/o la antena receptora.
- Aumente la separación entre el equipo y el receptor.
- Conecte el equipo a una toma de electricidad situada en un circuito eléctrico diferente al del receptor.
- Consulte al distribuidor o solicite ayuda a un técnico de radio/TV con experiencia.

PRECAUCIÓN

Cualquier cambio o modificación efectuada en este equipo que no haya sido expresamente aprobada por la parte responsable del cumplimiento de los requisitos exigidos podría invalidar el derecho del usuario a utilizar el equipo.

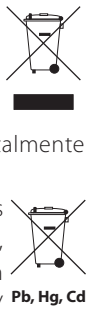
Modelo para Europa



Este producto cumple con las exigencias de las directivas europeas y con los reglamentos de la Comisión Europea.

Para consumidores europeos

Deshacerse de aparatos eléctricos, electrónicos, pilas/baterías y acumuladores

- a) Todos los aparatos eléctricos y electrónicos, y pilas/baterías y acumuladores gastados, deben ser eliminados separados del resto de basura común y únicamente en los "puntos limpios" o bajo los procedimientos especificados por el gobierno o autoridades municipales locales.
- b) Con la eliminación correcta de los equipos eléctricos y electrónicos, y de pilas/baterías y acumuladores gastados, estará ayudando a conservar recursos muy valiosos y a evitar los posibles efectos negativos en la salud humana y en el medio ambiente.
- c) La eliminación incorrecta de los equipos eléctricos y electrónicos, y pilas/baterías y acumuladores, puede producir efectos muy dañinos en el medio ambiente y en la salud humana a causa de las sustancias peligrosas que pueden encontrarse en estos equipos.
- d) El símbolo de Eliminación de Aparatos Eléctricos y Electrónicos (WEEE en inglés), identificado por cubos de basura con ruedas tachados, indican que los equipos eléctricos y electrónicos, y las pilas/baterías y acumuladores, deben ser eliminados de forma totalmente independiente con respecto a la basura doméstica.
Si una pila/batería o un acumulador contienen más cantidad de los valores especificados de plomo (Pb), mercurio (Hg), y/o cadmio (Cd) según está definido en la Directiva relativa a las pilas (2006/66/CE, 2013/56/UE), entonces los símbolos químicos correspondientes a estos elementos estarán indicados debajo del símbolo WEEE.

- e) Existen sistemas para la eliminación y recogida a disposición del usuario final. Si necesita más información sobre cómo deshacerse de aparatos eléctricos y electrónicos antiguos, así como de pilas/baterías y acumuladores, póngase en contacto con su ayuntamiento, con la correspondiente empresa del servicio de recogida de residuos o con el establecimiento donde adquirió ese aparato.

ESOTERIC is a trademark of TEAC CORPORATION, registered in the U.S. and other countries.

Los nombres de otras compañías, nombres de productos y logos que aparecen en este documento son marcas comerciales o registradas de sus respectivos propietarios.

Gracias por adquirir este producto ESOTERIC.

Lea este manual atentamente para obtener el mejor rendimiento de este producto. Después de leerlo, guárdelo en un lugar seguro, junto con la tarjeta de la garantía, para futuras consultas.

INSTRUCCIONES IMPORTANTES DE SEGURIDAD	23
Antes de su utilización	26
Accesorios incluidos	26
Nota sobre las patas puntiformes	26
Mantenimiento	27
Precauciones de uso	27
Conexiones	28
Partes y funciones de la unidad principal	30
Funcionamiento básico	30
Encendido y apagado de la alimentación	30
Solución de posibles fallos	31
Especificaciones	31
Dibujos con las dimensiones	32
Diagrama de colocación de las patas	32

Accesorios incluidos

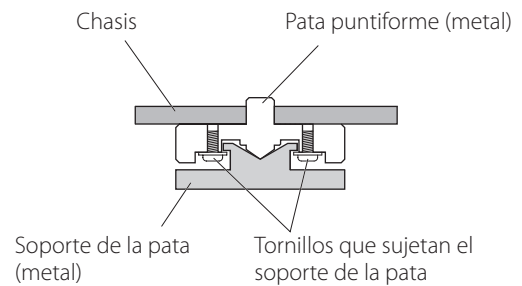
Compruebe que la caja incluye todos los accesorios suministrados que se muestran a continuación. Por favor, póngase en contacto con el establecimiento donde adquirió este producto si falta cualquiera de estos accesorios o si alguno ha sufrido desperfectos durante el transporte.

- Cable de corriente × 1
- Cables de conexión de corriente continua × 2
- Almohadillas de fieltro × 4
- Manual del usuario (este documento) × 1
- Tarjeta de garantía × 1

Nota sobre las patas puntiformes

Esta unidad tiene unas patas puntiformes metálicas de alta precisión que están sujetas a la placa inferior.

Las patas puntiformes y sus soportes están sueltos, pero cuando se coloca la unidad sobre una superficie, son estas patas puntiformes las que soportan la unidad dispersando de manera efectiva las vibraciones.



- Coloque en la parte inferior de los soportes de las patas las almohadillas de fieltro incluidas para evitar rayar la superficie sobre la que se ponga la unidad.

Mantenimiento

Utilice un paño suave y seco para limpiar la superficie de la unidad. Para manchas difíciles, use un paño húmedo que haya sido bien escurrido para eliminar el exceso de líquido.

- Nunca pulverice líquido directamente sobre esta unidad.
- No utilice gamuzas ni paños impregnados con productos químicos, ni disolvente u otras sustancias químicas, ya que pueden dañar la superficie de la unidad.
- Evite que materiales de goma o de plástico estén en contacto con la unidad durante largos períodos de tiempo, ya que pueden dañar la carcasa.

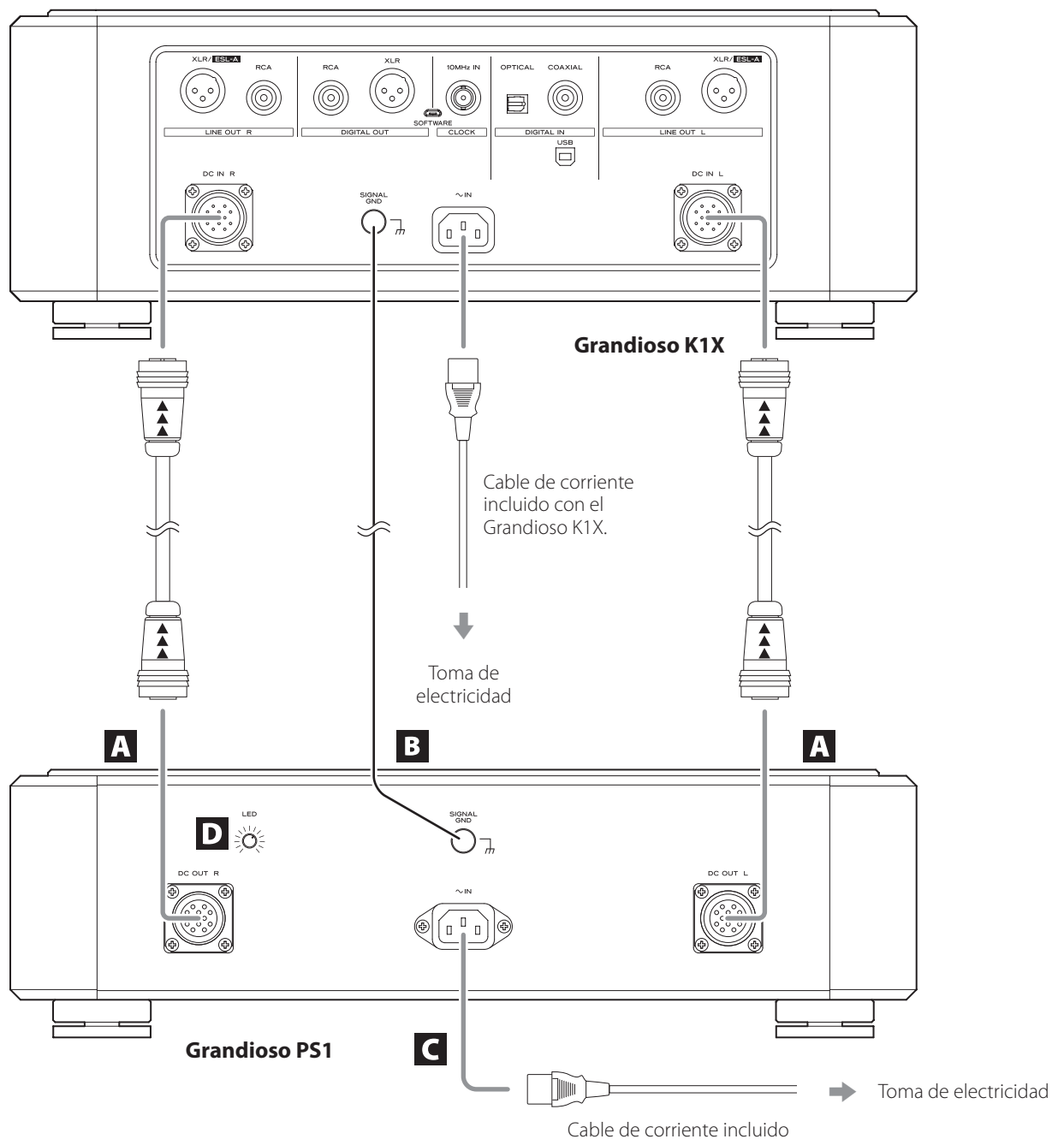


Por seguridad, desenchufe el cable de corriente de la toma de electricidad antes de proceder a la limpieza.

- Esta unidad pesa bastante, por lo que deberá tener cuidado para evitar lesiones durante la instalación.
- No instale esta unidad donde pueda calentarse. Esto incluye lugares que estén expuestos a la luz solar directa o cercanos a un radiador, calefactor, estufa o cualquier otro aparato de calefacción. Tampoco coloque esta unidad encima de un amplificador u otro equipo que genere calor. Si lo hace, podría decolorarse o deformarse.
- Para permitir una buena disipación del calor, deje al menos 20 cm entre esta unidad y las paredes u otros componentes del equipo cuando la instale. Si la coloca en un rack, tome precauciones para evitar un sobrecalentamiento, dejando al menos 5 cm libres por encima de la unidad y 10 cm por detrás. Si no deja estos márgenes de seguridad, el calor podría acumularse en su interior y provocar un incendio.
- Coloque la unidad en un lugar estable.
- No coloque nada encima de esta unidad.
- El voltaje suministrado a la unidad deberá ser el mismo que está impreso en su parte posterior. Si tiene dudas al respecto, consulte a un electricista.
- No abra la carcasa de la unidad porque podría causar daños en los circuitos o una descarga eléctrica. En caso de que se introduzca un objeto extraño en la unidad, contacte con su distribuidor.
- Cuando desenchufe el cable de corriente de la toma de electricidad, tire siempre directamente del conector. Nunca tire del cable.

Precauciones al realizar las conexiones

- Conecte los cables de corriente tanto en esta unidad como en el Grandioso K1X.
- Termine todas las conexiones antes de enchufar los cables de corriente a las tomas de electricidad.
Desconecte siempre el cable de corriente de la toma de electricidad antes de conectar cualquier otro cable a esta unidad.
Cuando esta unidad está conectada a una toma de electricidad, si la punta de un cable u otra parte metálica toca una clavija de un terminal DC OUT, puede provocar un cortocircuito y causar una avería.
- Lea el manual de instrucciones del dispositivo que se vaya a conectar y siga sus indicaciones.
- Asegúrese de conectar los cables de conexión de corriente continua con la orientación correcta como muestra la dirección de las flechas.
- Los cables de conexión de corriente continua incluidos con esta unidad son específicos para la conexión a un Grandioso K1X.

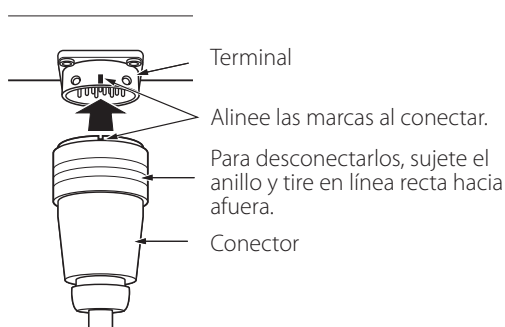


A Terminales de salida de corriente continua (DC OUT)

Utilice 2 cables de conexión de corriente continua para conectar los terminales DC IN del Grandioso K1X con los terminales de salida de corriente continua de esta unidad.

DC OUT R → DC IN R
DC OUT L → DC IN L

- Utilice los cables de conexión de corriente continua incluidos con esta unidad para las conexiones.
- Los cables de corriente continua llevan impresas unas flechas. Cuando conecte los cables, hágalo de manera que las flechas apunten en la dirección que se muestra en la ilustración de la página 28. Compruebe la orientación de las puntas y de las flechas de cada uno de los cables de corriente continua y sujételos siempre por el conector. Alinee las marcas del conector y el terminal y empuje para insertarlos por completo, hasta notar un "clic". Para desconectarlos, sujete el anillo y tire en línea recta hacia afuera. Al conectar o desconectar los cables de corriente, no tuerza ni mueva hacia los lados los conectores.
- Desconecte siempre el cable de corriente antes de conectar o desconectar un cable de conexión de corriente continua.
- Tenga cuidado de no engancharse los dedos en el anillo al conectar o desconectar los cables de corriente continua.



⚠ Nunca conecte uno de estos terminales a una unidad P-0, P-01, Grandioso P1 o Grandioso P1X. Si lo hace, puede ocasionar daños.

B Terminal de tierra SIGNAL GND

Si conecta este terminal de tierra al terminal de tierra de un convertidor D/A, amplificador u otro componente del equipo, puede mejorar la calidad del audio.

- Este terminal no es una toma de tierra de seguridad eléctrica.

C Entrada para el cable de corriente alterna (~IN)

Conecte en esta entrada el cable de corriente alterna incluido. Termine todas las conexiones antes de enchufar el cable de corriente a una toma de electricidad.

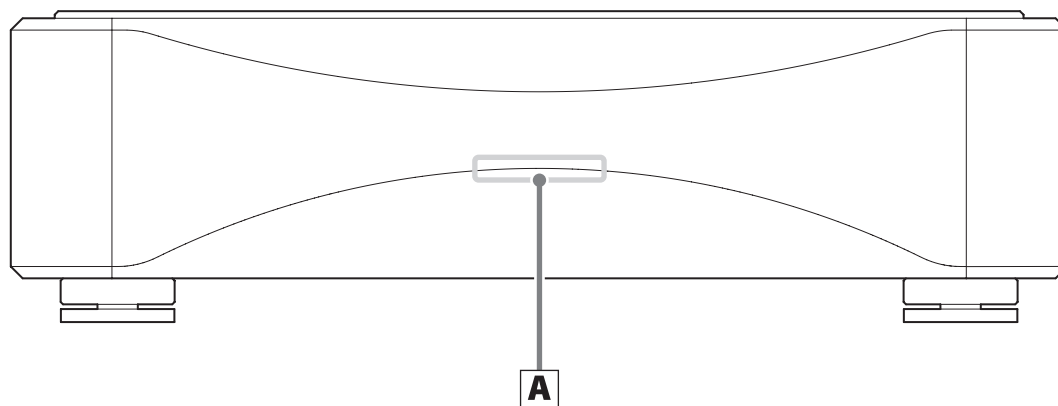
⚠ Utilice solamente un cable de corriente ESOTERIC original. El uso de otros cables de corriente puede ser causa de incendio o descargas eléctricas.

⚠ Desenchufe el cable de corriente de la toma de electricidad si no va a utilizar la unidad durante un largo periodo de tiempo.

D Mando de ajuste del brillo del LED

Gírelo para ajustar el brillo del indicador de encendido.

Partes y funciones de la unidad principal



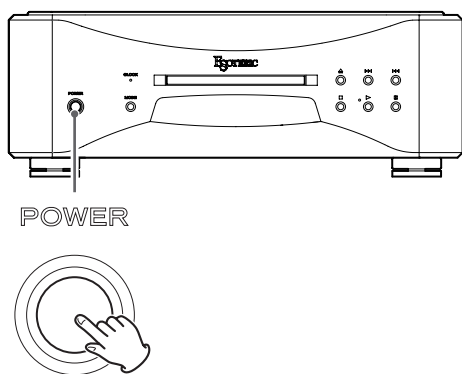
A Indicador de encendido

Se ilumina cuando la alimentación está encendida.

- Si parpadea, confirme que la entrada para el cable de corriente alterna (~IN) de esta unidad está conectado a una toma de electricidad mediante el correspondiente cable de corriente.

Funcionamiento básico

Encendido y apagado de la alimentación



Utilice el botón POWER del Grandioso K1X para encender o apagar esta unidad.

Si tiene un problema con este producto, por favor dedique un momento a revisar la información que le proporcionamos a continuación antes de solicitar servicio técnico. Es más, el problema podría estar causado por algún motivo ajeno a este producto. Por favor, compruebe también el funcionamiento de la unidad conectada.

Si aun así este producto no funciona correctamente, póngase en contacto con el distribuidor donde lo compró.

La unidad no se enciende.

- ➔ Compruebe que el cable de corriente está bien conectado, tanto a la entrada de corriente de la parte posterior de esta unidad como a la toma de electricidad.
- ➔ Compruebe que llega corriente a la toma de electricidad donde está enchufado el cable de corriente, por ejemplo conectando otro aparato.
- ➔ Confirme que los cables de conexión de corriente continua están conectados correctamente.

Nota sobre la condensación

Si traslada esta unidad de un entorno frío al aire libre a un entorno cálido en un interior, o si se acaba de encender la calefacción en la habitación donde está situada, por ejemplo, puede producirse condensación en alguna de las piezas funcionales, dando como resultado un funcionamiento incorrecto. Si esto ocurre, deje la unidad encendida y espere una o dos horas. Así debería restablecerse la reproducción con normalidad.

General

Alimentación

Modelo para Europa.....CA 220–240 V, 50/60 Hz

Modelo para EE. UU./Canadá CA 120 V, 60 Hz

Modelo para Corea..... CA 220 V, 60 Hz

Consumo de corriente..... 17 W

Dimensiones externas (ancho × alto × profundo, salientes incluidos)
445 × 132 × 452 (mm)

Peso..... 23,7 kg

Temperatura de funcionamiento..... de +5 °C a +35 °C

Humedad de funcionamiento de 5 % a 85 % (sin condensación)

Temperatura de almacenamiento..... de –20 °C a +55 °C

Accesorios incluidos

Cable de corriente × 1

Cables de conexión de corriente continua × 2

Almohadillas de fieltro × 4

Manual del usuario (este documento) × 1

Tarjeta de garantía × 1

- Las especificaciones y el diseño están sujetos a cambios sin previo aviso.
- El peso y las dimensiones son aproximados.
- Las ilustraciones de este Manual del usuario pueden diferir ligeramente de los modelos de producción.

Dibujos con las dimensiones

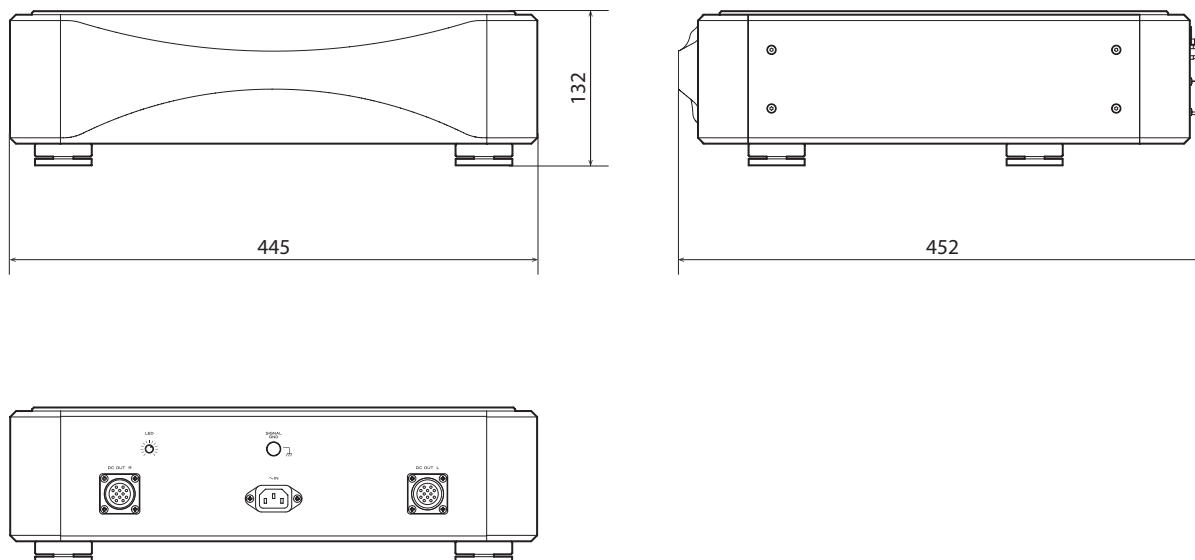
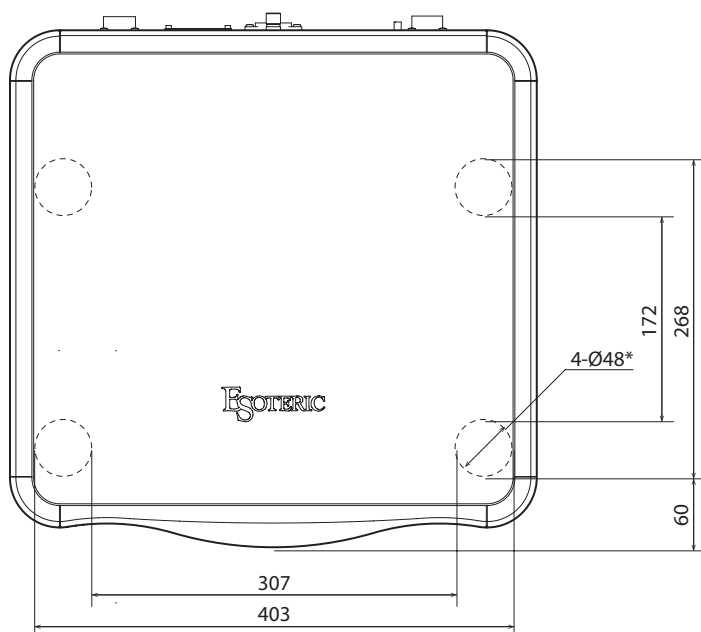


Diagrama de colocación de las patas



Dimensiones en milímetros (mm)

* 4 patas de 48 mm de diámetro

ESOTERIC

ESOTERIC COMPANY

1-47 Ochiai, Tama-shi, Tokyo 206-8530, Japan

Phone: +81-42-356-9156

This product has a serial number located on the rear panel. Please write it here and retain this for your records.

Model name: Grandioso PS1

Serial number _____

0622-MA-3050C